



rainbow[®]

BASED ON THE PRINCIPLE THAT

Wet Dust Can't Fly[®]

THE RAINBOW[®] USES

The Power of Water[®]

TO EFFECTIVELY REMOVE DIRT AND
AIRBORNE PARTICLES FROM YOUR HOME.



customer care number

As part of Rexair's Customer Care program, each Rainbow and Power Nozzle receives a Customer Care serial number only after passing Quality Control assurance testing. This serial number provides:

- ✓ Ownership identification for you
- ✓ Warranty identification for your Distributor
- ✓ Assurance of passing Quality Control testing
- ✓ Assurance of "factory-fresh" condition

For future reference, record the serial number in the space provided below. No authentic, new Rainbow or Power Nozzle should be sold without this number. If the serial number is missing, Rexair makes no claim as to the origin, age, or condition of the unit. If you are unable to locate a serial number on your Rainbow or Power Nozzle, please contact Rexair's Customer Service Department.

RAINBOW SERIAL NUMBER

Model: e2 - 73 db(A)



YOUR AUTHORIZED RAINBOW DISTRIBUTOR

NAME	
ADDRESS	
CITY/STATE/POSTAL	
PHONE	
E-MAIL	

← Contact your local Authorized Rainbow Distributor for advice on caring for your Rainbow, warranty coverage, replacement parts and service information.

A MESSAGE FROM REXAIR®

We would like to take this opportunity to congratulate and thank you for choosing the Rainbow Cleaning System. Your new Rainbow is the result of more than 75 years of continuous product research, development and ingenuity. Today, Rainbow products are sold in all 50 states and in more than 75 countries around the globe. We believe the Rainbow is the most effective and versatile home cleaning system available.

With proper use and care, the Rainbow will significantly improve your indoor living environment and provide years of reliable service. Please take a few minutes to review this guide and familiarize yourself with your new Rainbow Cleaning System.

Should you have questions or experience any issues with your Rainbow, please contact the Distributor or dealer from whom you purchased your Rainbow. If you are unable to contact them, feel free to contact Rexair's customer service department for assistance.



Rexair is a proud member of the Direct Selling Association and adheres to the DSA's Code of Ethics.



The Rainbow® is certified **asthma & allergy friendly™** by the Asthma and Allergy Foundation of America*.

CERTIFIED
asthma & allergy
friendly™

Meets
ASP:03:03
Standard for
Vacuum Cleaners



Asthma and Allergy
Foundation of America
aaafa.org/certified

* ASTHMA & ALLERGY FRIENDLY and ASTHMA & ALLERGY FRIENDLY LOGO are Certification Marks and Trademarks of ALLERGY STANDARDS LIMITED. THE ASTHMA AND ALLERGY FOUNDATION OF AMERICA is a Registered Trademark of AAFA.

Rexair®
LLC

50 W. Big Beaver Road, Suite 350
Troy, Michigan 48084
United States of America

(248) 643-7222

custserv@rexairllc.com
rainbowsystem.com

Rainbow®, RainbowMate®, RainMate®, AquaMate®, Rexair®, The Power of Water®, Wet Dust Can't Fly® and the configuration of the Rainbow® Cleaning System are registered trademarks of Rexair LLC, Troy, Michigan, United States.

important safety instructions



**PLEASE READ ALL INSTRUCTIONS BEFORE USING THESE APPLIANCES
USE ONLY MANUFACTURER'S RECOMMENDED ATTACHMENTS**

⚠ WARNING: The electrified hose contains electrical wires and should be inspected regularly. Do not use if damaged, cut or punctured. Avoid picking up sharp objects. Do not use or repair a damaged hose. Contact an Authorized Rainbow Distributor or Service Center for repair. Do not immerse handle in liquid for cleaning. Use electrified hose only with Rainbow accessories or on carpet moistened by the Rainbow cleaning process. Always turn off this appliance before connecting or disconnecting the hose or motorized nozzle.

⚠ WARNING: Because of the danger of shock, any electrical appliance should be used only as directed. There should be no unapproved use of any electrical product. Electrical leakage and shorts can occur whenever there is electricity. If the user is standing on the ground, in a basement or in a room where a film of water can reach the ground, severe shock could result. Therefore, use the Rainbow only as directed in this Owner's Manual.

⚠ CAUTION: The Rainbow water basin will not trap materials that are resistant to the wetting action of water, including oily or greasy compounds (such as soot or ashes) and powdery substances (such as ceramic, drywall or plaster dust). Do not use the Rainbow to pick up or in the vicinity of any volatile or toxic materials.

1. This appliance can be used by children aged from 8 years and above and persons with reduced physical, sensory or mental capabilities or lack of experience and knowledge if they have been given supervision or instruction concerning use of the appliance in a safe way and understand the hazards involved. Children shall not play with the appliance. Cleaning and user maintenance shall not be made by children without supervision.
2. Unplug the Rainbow when not in use. Turn it off at the master switch before unplugging. Grasp the plug to disconnect it from the wall outlet to avoid damage to cord, plug, prongs or receptacle. Do not pull or carry by cord, use cord as a handle, close a door on cord, pull or carry around sharp edges or corners. Do not run appliance over cord. Keep cord away from heated surfaces. Do not use with damaged cord or plug.
3. Do not leave appliance when plugged in. Unplug Rainbow from outlet when unattended and before servicing or replacing the drive belt in motorized nozzles.
4. If your Rainbow or Rainbow accessory is in disrepair, do not attempt to operate. If the Rainbow is not working properly, has been dropped, damaged, left outdoors or dropped into water, contact an Authorized Rainbow Distributor or Service Center for inspection.
5. Do not clean the unit or unclog the hose until the Rainbow is switched off and the plug is removed from the wall outlet.
6. Do not connect to the receptacle of an incandescent light fixture or use any extension cords. Do not use with portable transformers or voltage converters.

7. Do not use the Rainbow or Rainbow accessory to unplug drains. If sewer gas is drawn into the Rainbow, it could cause an explosion.
8. Never touch a metal sink, cold or hot water pipe with one hand while touching the metal parts of any electrical appliance, light fixture or switch with the other hand. Your body could complete an electrical circuit to the ground. Additionally, wet skin surfaces can greatly increase this hazard. Do not handle plug or appliances with wet hands.
9. (A) Do not put any objects into openings; Do not use with any openings blocked; keep free of dust, lint, hair and anything that may reduce airflow; (B) Keep hair, loose clothing, fingers and all parts of the body from openings and moving parts; (C) Use extra care when cleaning on stairs.
10. Do not pick up anything that is burning or smoking, such as cigarettes, matches or hot ashes. Do not use to pick up flammable or combustible liquids, such as gasoline, or use in areas where they may be present.
11. To avoid the possibility of fire or explosion, do not use Rainbow or Rainbow accessories in areas where flammable and/or explosive vapor or dust is present. Some cleaning fluids can produce such vapors. Areas where flammable cleaning fluids have been used should be completely dry and thoroughly aired before being vacuumed.
12. This appliance is provided with double insulation. Use only identical replacement parts. See instructions for servicing of double-insulated appliances.
13. The Rainbow is equipped with an interlock switch that prevents the unit from operating if the water basin is not properly latched. **DO NOT ATTEMPT TO OVERRIDE THIS SAFETY FEATURE.**
14. Your Rainbow Power Nozzle contains a powerful revolving brush. To avoid bodily injury, the Rainbow Power Nozzle should not be placed against or close to loose clothing, jewelry, hair or body surfaces while Rainbow is connected to electrical outlet. The Power Nozzle does NOT protect against bodily injury or damage to objects that contact the revolving brush.
15. To reduce the risk of electric shock, this appliance may have a polarized plug (one blade is different than the other). This plug will fit in a polarized outlet only one way. If the plug does not fit fully in the outlet, reverse the plug. If it still does not fit, contact a qualified electrician to install the proper outlet. Do not change the plug in any way.
16. If the cord is damaged, turn off the power switch on the Rainbow and unplug the unit. Power cords must be replaced by an Authorized Rainbow Distributor.
17. Do not operate any fan with a damaged cord or plug. Discard fan or return to an Authorized service facility for examination and/or repair.
18. Do not run cord under carpeting. Do not cover cord with throw rugs, runners, or similar coverings. Do not route cord under furniture or appliances. Arrange cord away from traffic area and where it will not be tripped over.

**SAVE THESE
INSTRUCTIONS**

THIS APPLIANCE IS INTENDED FOR HOUSEHOLD USE ONLY
USE THE RAINBOW ONLY AS DIRECTED IN THIS OWNER'S MANUAL
rainbowsystem.com

SERVICING OF DOUBLE-INSULATED APPLIANCE

In a double-insulated appliance, two systems of insulation are provided instead of grounding. No grounding means is provided on a double-insulated appliance, nor should a means for grounding be added to the appliance. Servicing a double-insulated appliance requires extreme care and knowledge of the system and should be done only by qualified Rainbow service personnel. Replacement parts for a double-insulated appliance must be identical to the parts they replace. A double-insulated appliance is marked with the words "DOUBLE-INSULATION" or "DOUBLE-INSULATED." The Symbol (square within a square) may also be marked on the appliance. Any servicing other than cleaning should be performed by an Authorized Rainbow Distributor or Service Center.



get acquainted with your rainbow®



To purchase accessories or replacement parts,
please contact an Authorized Rainbow Distributor.

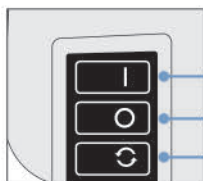
- | | | |
|--------------------------|--|-----------------------------|
| 1. Cord Wrap | 12. Separator | 22. Pistol Grip Hose Handle |
| 2. Exhaust Vent Plate | 13. Water Basin | 23. Hose Handle Trigger |
| 3. Exhaust Air Opening | 14. Dolly | 24. Hose Handle Wand |
| 4. Airflow Adapter | 15. Dolly Foot Latch | 25. Airflow Control Vent |
| 5. Power Selector Switch | 16. HEPA Neutralizer | 26. Crevice Tool |
| 6. Handle | 17. Confined Space Cleaner & Inflator Tool | 27. Dusting Brush |
| 7. Power Unit | 18. Refrigerator Coil Cleaner | 28. Upholstery Tool |
| 8. Air Inlet Opening | 19. Floor & Wall Brush | 29. Electrified Hose |
| 9. Water Basin Latches | 20. Cushion Bag (Not shown) | 30. Power Nozzle* |
| 10. Attachment Caddy | 21. Cleaning Wands | |
| 11. Separator Nut | | |

* Shown with optional Power Nozzle

power & control at your fingertips

Power Selector Switch

The power selector switch controls the speed of the Rainbow's motor.



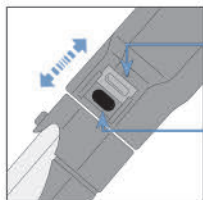
HIGH: Use this setting for general cleaning.

OFF: Turns the entire unit off.

LOW: Use this setting for cleaning the air. (See page 13.)

Airflow Control Vent

The airflow control vent on the hose handle can be opened or closed to control airflow when vacuuming delicate items such as curtains and to make the Power Nozzle easier to push on dense carpet. As you clean, you can quickly determine the proper adjustment.

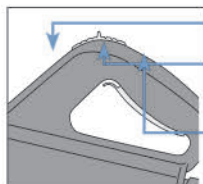


REDUCED AIRFLOW: Keep vent open and adjust as needed for different cleaning jobs.

FULL POWER: Keep vent fully closed for maximum cleaning performance.

Trigger Lock Switch

The hose handle's trigger lock switch controls the functionality of the electrified hose when using the Power Nozzle, RainbowMate, RainJet and AquaMate.



FORWARD POSITION: Locks trigger - power is off.

MIDDLE POSITION: (Recommended) Squeeze trigger to activate or release to turn off.

BACKWARD POSITION: Trigger is locked - power is on.

Attachment Caddy



Bring along your most used tools as you clean from room-to-room using the convenient onboard Attachment Caddy. Attach to the front of the Rainbow by slipping over the front of the housing into notches located on either side. Press downward to lock in place. Attachments are stored by slipping them over the posts on the caddy. The attachment caddy can also be attached to the wand.

quick-start guide

In just a few quick steps, you'll have your Rainbow assembled and ready to begin cleaning.

1. Fill water basin...

Start with cool water from the faucet. Fill the water basin until the top of the dome in the bottom of the basin is covered. Overfilling or under filling will reduce cleaning performance. Water should be replaced when water action is visibly reduced.

2. Clamp Rainbow to water basin...

Align and set the Rainbow on top of the water basin. Hook the two water basin latches on each side of the Rainbow to the rim of the water basin and snap up. To disconnect from water basin, release the two clamps and lift Rainbow. The Rainbow will not operate without the water basin attached.

3. Place Rainbow on dolly...

Place Rainbow with water basin attached on dolly, matching the protruding end of the Rainbow with the protruding end of the dolly as shown. A foot latch locks Rainbow into place. To release, press foot latch.

4. Attach hose...

Press hose coupling into air inlet opening of power unit until hose clicks. To remove, squeeze both latches and pull hose from power unit.

5. Connect Wands...

Insert the male end of one wand into the female end of second wand. Press wands together until button lock clicks. To disconnect, press button on wands and pull apart.

6. Connect hose-handle wand...

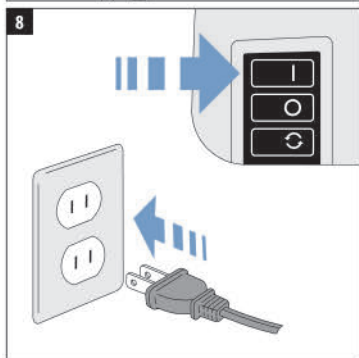
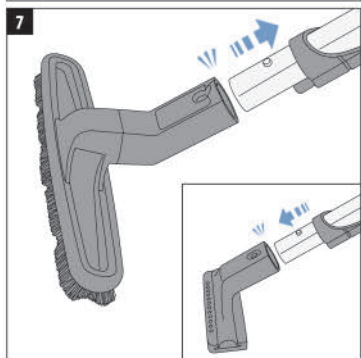
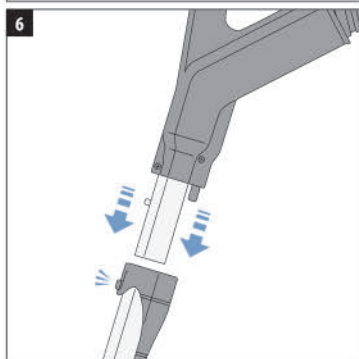
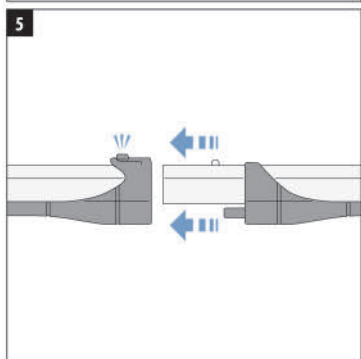
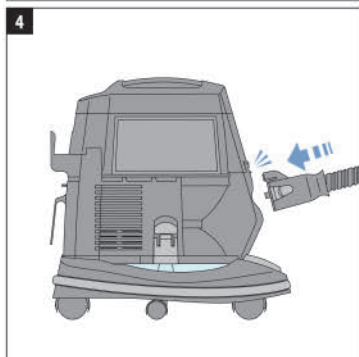
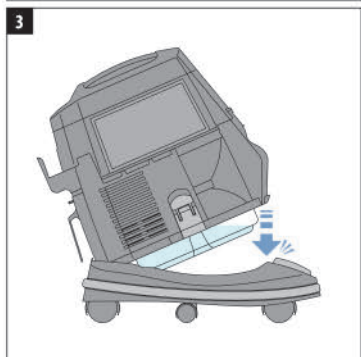
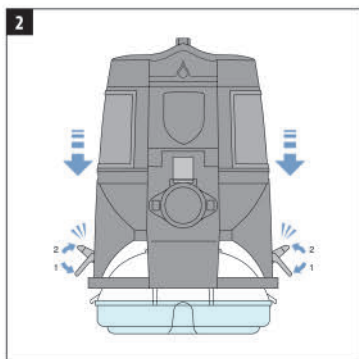
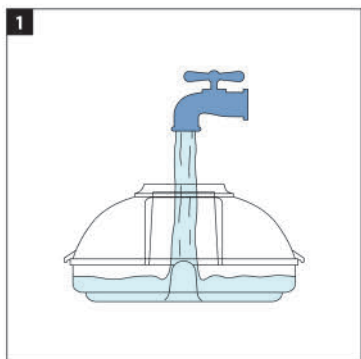
Insert the hose-handle wand into the female end of top wand. Push until button lock clicks. To disconnect, press button on wand and pull apart.

7. Select an attachment...

Determine what type of cleaning you will be performing (see chart on page 11), then insert the desired attachment into the bottom wand or pistol grip hose handle wand. Button will lock into hole on either wand. To disconnect, press button on wand and pull off.

8. Plug in the Rainbow and turn on...

Plug the power cord into your most convenient wall outlet. Select HIGH for maximum cleaning performance.

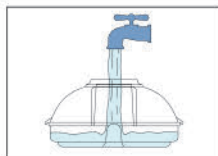


proper use & care

Following a few basic maintenance routines will help provide you with years of trouble-free service from your Rainbow Cleaning System. Neglecting all or part of these instructions may lead to decreased cleaning efficiency and potentially unnecessary service expenses.

Change the water when dirty...

Do not clean too long with one filling of water. Check water during cleaning, and if water becomes too thick with lint and dirt, empty water basin and add fresh, clean water. The correct water level is the top of the post in the center of the water basin. Never fill the water basin above this post.

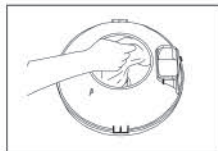


Always empty and clean the water basin...

Immediately after using the Rainbow, remove the water basin and pour out the dirty water through the air intake opening. Heavier particles will settle to the bottom of the basin as the water is poured. Once water is poured, remove the remaining heavier debris and dispose. Then wash the water basin with soap and water. Rinse and dry thoroughly. **Do not** store the Rainbow on top of the water basin.



⚠ CAUTION: Always remove, empty and wash the water basin when cleaning job is finished. This helps to avoid odors, growth of germs and bacteria, and the development of water scum in the basin. Hand wash only. Not dishwasher safe.



Clean the separator...

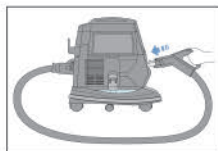
For best performance, remove and clean the separator frequently. If necessary, use the supplied Rainbow Separator Brush/Wrench to loosen the nut. Clean separator inside and out with soap and water using the Rainbow Separator Brush. Clean and dry the flange under the separator. Immediately after cleaning, dry and replace the separator. Hand-tighten the separator nut. Do not force the separator onto the threaded shaft.



⚠ WARNING: Always replace the separator immediately after cleaning (hand-tighten only). Do not operate the Rainbow without the separator.

Clearing an obstruction from the hose...

If you notice decreased airflow when using the hose, the hose may have become clogged. To clear obstruction, turn off Rainbow and disconnect from power source. Then, remove the exhaust vent door on the rear of the Rainbow. Connect the hose coupling to the exhaust air opening, making sure both latches are locked. Place the hose handle wand into the air intake opening on the front of the Rainbow. Turn the Rainbow on and jiggle the hose. Any dirt stuck in the hose will be trapped in the Rainbow water basin.



a complete home cleaning solution

The Rainbow's wide assortment of cleaning tools provide the power and versatility to clean practically everything around your home.

ATTACHMENT	Furniture	Between cushions	Window Treatments	Stairs	Bare Floors	Carpeted Floors & Rugs	Walls	Hard-to-Reach Spaces
Dusting Brush	✓		✓					
Upholstery Tool	✓		✓	✓				
Crevice Tool	✓	✓		✓				✓
Floor and Wall Brush				✓	✓		✓	
Power Nozzle*					✓	✓		
RainbowMate*	✓			✓				
RainJet*					✓			
Squeegee*					✓			
Rexafoamer*						✓		
Inflator / Confined-Space Cleaner		✓						✓

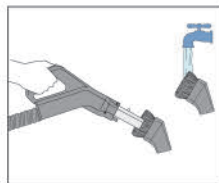
* Available as an optional accessory. For more information, contact an Authorized Rainbow Distributor.

⚠ CAUTION: Always clean attachments before using on fabrics. To avoid abrasions to delicate surfaces, keep the dusting brush bristles clean.

⚠ CAUTION: Do not use attachments to clean flat-screen televisions or computer screens.

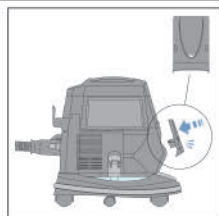
Cleaning the attachments...

The floor and wall brush, dusting brush and upholstery tool can be whisked clean with the open end of Rainbow hose while Rainbow is running; or remove attachment and clean in warm, soapy water. Allow to dry before replacing. If bristles wear out or become damaged, contact your local Rainbow Distributor for replacement.



Using the Airflow Adaptor...

The Rainbow Airflow Adaptor reduces air noise through the air inlet opening. It is recommended to use the adaptor when the Rainbow is used as a blower or inflator. Simply snap the Airflow Adaptor into the air inlet opening before using the Rainbow as a blower or inflator.



a complete home cleaning solution

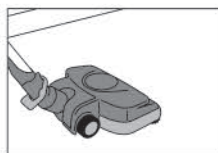
To clean bare floors...

Use the **floor & wall brush**. For clean and attractive looking hardwood floors and linoleum tile, the floor and wall brush does an outstanding job of removing surface litter and dirt. Consistent use will help prevent scratches caused by floor debris. Set Airflow Control to FULL POWER.



To clean carpeted floors...

Use the **Power Nozzle™**. The lightweight Rainbow Power Nozzle removes dirt from deep within your carpet and large rugs. Its powerful revolving brush loosens lint, threads, hair and dirt, leaving your carpet soft and clean. Active brush edge cleaners help remove dirt trapped along carpet edges, along baseboards or next to furniture. Set Airflow Control to FULL POWER.



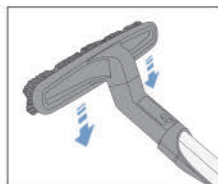
To dust...

Use the **dusting brush**. Because the Rainbow traps dust in water and releases only water-washed air back into the home, your home will require less dusting. However, to keep your home thoroughly clean, don't forget to dust overlooked places such as windowsills, picture frames, venetian blinds, lamp shades, lighting fixtures, moldings, houseplants, hats, clothing, screens, drapes and curtains. On lamp shades and similar fragile objects, reduce the suction by opening the Airflow Control Vent. For delicate objects, airflow may be further reduced. **TIP:** Attach the dusting brush to the optional extended hose* to reach ceiling fan blades, cornice boards and cobwebs.



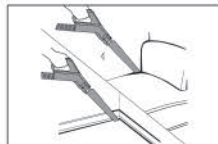
To clean walls...

Use the **floor & wall brush**. All walls ... papered, paneled or painted ... stay cleaner longer when dust and dirt are removed regularly. Start from the ceiling and make your way to the floor, using slow downward strokes. For best results, allow only the top edge of brush to contact the wall. With a slight space between the wall and bottom edge of brush, dust is removed before the bristles touch it, thus avoiding streaks. Set Airflow Control to FULL POWER.



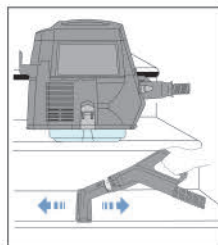
To clean narrow spaces...

Use the **crevice tool**. Use the crevice tool to clean in narrow and tight spaces, such as between radiator sections, under radiators, along floor edges and baseboards and deep down between cushions. Set Airflow Control to FULL POWER.



To clean carpeted stairs...

Use the **upholstery tool**. To clean carpeted stairs, remove the Rainbow from the dolly. Allow the Rainbow to rest solidly on the stair above the one you are cleaning. Grasp the handle and move the Rainbow one step at a time as you continue cleaning each stair. Invert the upholstery tool 90 degrees to clean stair risers. Set Airflow Control to FULL POWER.

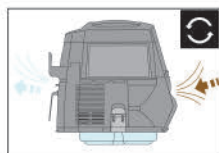


* Available as an optional accessory. For more information, contact an Authorized Rainbow Distributor.

a complete home cleaning solution

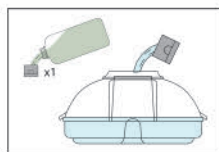
For fresh, water-washed air...

The Rainbow not only cleans your floors and furnishings, it cleans the air! Simply add water to the basin, position the Rainbow in the center of a room and run in low-speed mode for about one hour. The Rainbow will remove heavy odors, airborne dust and other particles from the air, trapping them in the water.



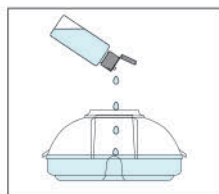
To deodorize...

Use **Rainbow Fresh Air Solution**.[®] Before using the Rainbow, simply add one capful of Rainbow Fresh Air Solution to the water in the basin. The Rainbow will quickly circulate and refresh the air in the entire area while you clean, alleviating many objectionable household odors.



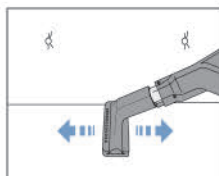
To aromatize...

Use **Rainbow fragrances**. Add a few drops of any Rainbow fragrance to the water in the basin. Place the Rainbow in the center of the room and run in low-speed mode. In a matter of minutes, a pleasant fragrance will permeate your home.



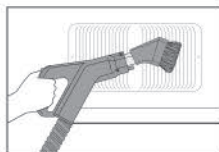
To clean furniture fabric...

Use the **upholstery tool**. Deeply embedded dirt can reduce the life and vibrancy of fabric. The Rainbow Upholstery Tool effectively removes dirt from upholstered furniture. With Rainbow's exclusive jet brush attached, surface litter and pet hair disappears like magic. Use the upholstery tool on sofas, chairs, mattresses, pillows, blankets, closet shelves, drapes and curtains. The upholstery tool may be used alone or with the Jet Brush attached. **TIP:** This tool is also great for gently cleaning clothing and outerwear - including wool, fur coats and delicate fabrics. Adjust Airflow Control to fit your cleaning situation.



To clean vents...

Use the **dusting brush**. Floor and ceiling vents collect and recirculate dust throughout your home. The soft dusting brush bristles get in between the vent slots, easily removing stubborn dirt and trapped debris. Set Airflow Control to **FULL POWER**.



To fluff cushions and pillows...

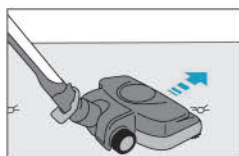
Use the **cushion bag**. This handy plastic bag removes stale, dusty air from cushions and pillows and is sized to fit even your largest cushions. Begin by placing a cushion in the bag. With the upholstery tool attached to end of hose handle wand, hold the cushion bag tightly in place around the wand, turn on the Rainbow and watch as stale, dusty air is sucked out. Without letting go of the bag at the wand, disconnect the hose from the front of the Rainbow and attach to the Rainbow's exhaust air opening. Your cushion is now being "fluffed" with clean, water-washed air.



a complete home cleaning solution

To freshen bedding...

Use the Rainbow Power Nozzle. Mattresses, box springs, bed frames, pillows, cots and sleeping bags can be thoroughly cleaned with the Rainbow Cleaning System. Use the Rainbow Power Nozzle to loosen and eliminate hairs, dead skin, dust mites, crumbs and other particles from your bedding. **Caution:** Use of the Rainbow Power Nozzle on fine linens and soft bedding may cause damage.



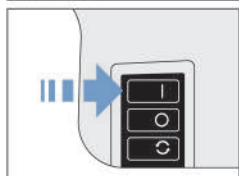
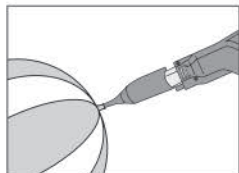
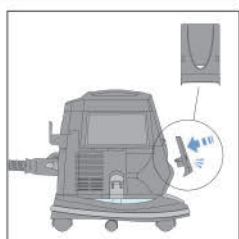
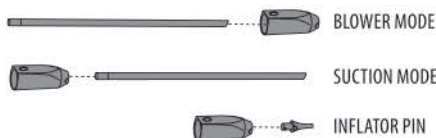
To inflate or blow air...

Use the inflator tool. The Rainbow inflator tool works great for quickly inflating air mattresses, beach balls and other inflatable toys.

⚠ WARNING: Be sure inflator pin is properly locked in place. If not, it will be blown forcefully from the tool body.

INSTRUCTIONS:

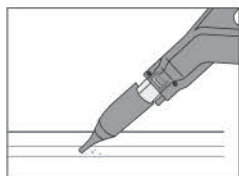
1. Remove the rear exhaust panel on the Rainbow.
2. Attach Rainbow hose to exhaust opening.
3. Attach Inflator Tool to hose handle wand end.
4. Set Airflow Control Setting to FULL POWER.
5. Attach inflator tool to hose handle.
6. Carefully insert the inflator pin into the inflator stem of the object to be inflated.
7. Turn Rainbow switch to HIGH.



To clean tight areas...

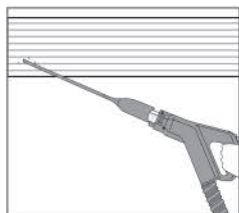
Use the confined-space cleaner. For detailed cleaning of extra difficult-to-reach areas, use the confined-space cleaner. This versatile tool can be used with either the inflator pin or flexible coil cleaner, depending on your specific cleaning situation.

TIP: The confined-space cleaner works great for detailing the interior of your vehicle.



To clean under refrigerators...

Use the coil cleaner. One of the most commonly overlooked areas when cleaning the home is underneath the refrigerator. Refrigerator cooling coils attract dust and crumbs, and can become less effective and energy-efficient when covered in dirt. Due to its slender design, the coil cleaner can be used to easily vacuum off the visible cooling coils of your refrigerator and underneath your washer or dryer.



enhance your rainbow® with accessories

For more information about these products, please contact an Authorized Rainbow Distributor.



The AquaMate carpet cleaning extraction unit allows you to achieve professional results without the professional price tag. The AquaMate works effectively on most carpet types and dries quickly. Stains caused by spilled beverages, pets and tracked mud can be removed quickly. Your neighbors will think your carpets were professionally cleaned. Use with AquaMate Carpet Cleaning solution for superior cleaning results.



Goes where no mop has ever gone before. The RainJet's self-contained, large-capacity solution tank allows superior cleaning for those bigger cleaning jobs. The Sponge and Brush attachments can be used interchangeably on tile or linoleum floors to scrub away embedded dirt and debris. Flip the Sponge over and the Squeegee Pickup Blade leaves floors spotless. Use with Clean Floor solution for superior cleaning results.



The RainbowMate's sleek, lightweight design allows you to access and clean smaller surfaces such as stairs, upholstery and vehicle interiors. The RainbowMate has a motor-driven brush for maximum cleaning performance.



Ready for a Breath of Fresh Air? The RainMate gives you sweet-smelling air in the most practical, unique and attractive manner possible. Simply add a few squirts of your favorite Rainbow fragrance or Rainbow Fresh Air solution into the RainMate water basin and experience the great outdoors.

Jumbo Floor & Wall Brush

The 14-inch wide Jumbo Floor & Wall Brush covers a larger area, allowing you to clean large surface more quickly.

4-Quart (3.76 Liter) Water Basin

The 4-Quart Water Basin is available for larger cleaning jobs, allowing you to clean for longer periods without changing the water. The 4-Quart water basin fits the Rainbow dolly and doubles the cleaning capacity of the Rainbow.

Extended Hose

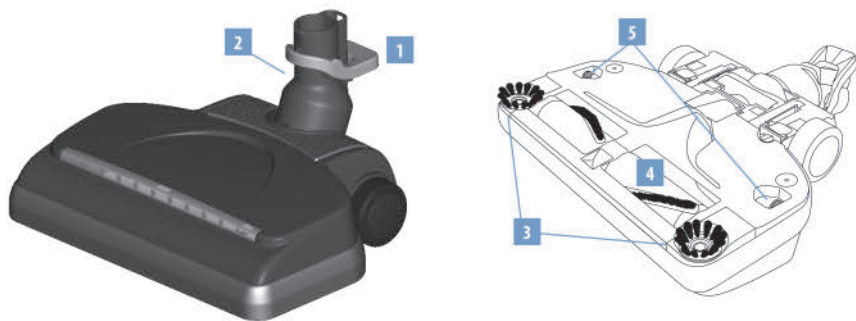
The 14-foot Extended Hose provides additional reach when using Rainbow attachments and the Power Nozzle. Convenient for cleaning large stairways and tall ceilings.

Rexafoamer

The Rexafoamer creates "dry" suds from liquid shampoo. Your rugs and carpets can be shampooed inexpensively, yet professionally, right in the home. Use with Rexafoamer Shampoo solution for superior cleaning results.

the rainbow® power nozzle™*

The lightweight Rainbow Power Nozzle removes dirt from deep within your carpet, large rugs and hard surface floors. Its powerful revolving brush loosens lint, threads, hair and dirt, leaving your carpet soft and clean. Active brush edge cleaners help remove dirt trapped along carpet edges, along baseboards or next to furniture. Set Airflow Control to FULL POWER.

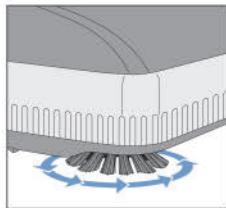


* Available as an optional accessory. For more information, contact an Authorized Rainbow Distributor.

1. Foot Release
2. Pivot Arm
3. Active Edge Brushes

4. Brush Roll
5. Sole Plate Release Tabs

Contact an Authorized Rainbow Distributor for replacement Power Nozzle belts and other supplies.



Active Edge Cleaning...

The Rainbow Power Nozzle features active brush edge cleaners on both sides. Guide either side of the Power Nozzle along baseboards or next to furniture to help remove dirt trapped along carpet edges.

⚠ WARNING: To avoid risk of electrical shock, NEVER pick up water or any other fluids with the Power Nozzle.

⚠ CAUTION: Use the Power Nozzle for dry pick-up only. Do not use outdoors or on wet surfaces.

⚠ CAUTION: Never pick up hard or sharp objects with the Rainbow Power Nozzle. Items such as pins, hairpins, tacks, crayons and pencil stubs may cause damage to the brush roll or belt.

⚠ CAUTION: Always make sure your Rainbow is unplugged before attaching your Power Nozzle.

⚠ CAUTION: Always disconnect unit from electrical supply when servicing.

⚠ CAUTION: Do not oil motor. The motor is permanently lubricated and sealed.

⚠ CAUTION: Consult flooring manufacturer prior to using the Rainbow Power Nozzle on bare hard surfaces. Then test the Power Nozzle in an inconspicuous location to verify the flooring is not damaged by use.

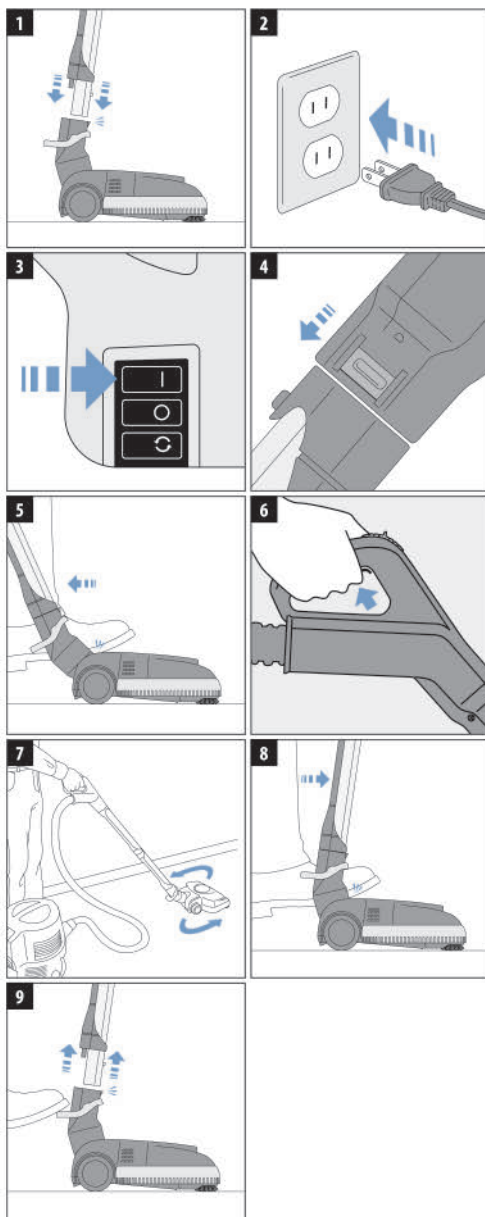
power nozzle™ assembly & operation

Assembly

- a. Prior to using the Power Nozzle, follow the Quick Start Guide on pages 8-9 to prepare the Rainbow.
- b. Insert the bottom wand with male end into the opening located on top of the Power Nozzle. Press downward until button lock clicks.

Operation

- a. Plug in the Rainbow.
- b. Turn the Rainbow power switch to HIGH mode.
- c. On the hose handle, turn the Airflow Control Vent to FULL POWER.
- d. To disengage from the upright position, place your left foot on top of the Power Nozzle. Next, grasp the wand assembly and pull backward.
- e. Squeeze the trigger on pistol grip hose handle to activate the Power Nozzle. Release trigger to turn Power Nozzle off. Optional: Use the trigger lock switch. (See page 7.)
- f. Guide Power Nozzle slowly back and forth over carpet with free and easy strokes. Let the Power Nozzle and Rainbow do the work.
- g. To lock Power Nozzle into the upright position, place your left foot on top of the Power Nozzle. Next, grasp the wand assembly and push forward until wand system is fully engaged in locking tabs.
- h. To disconnect the Power Nozzle from the wand, place your foot on the foot release above the pivot arm.

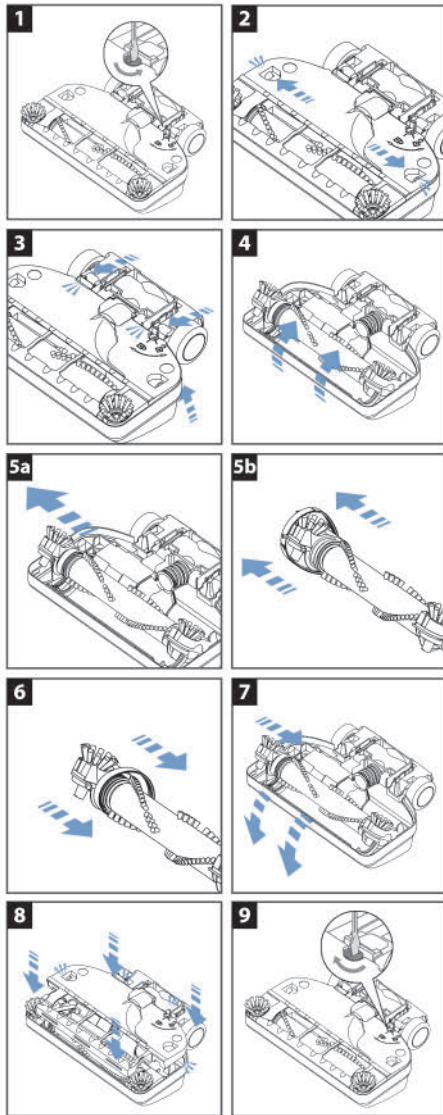


replacing the power nozzle™ belt

For best performance, we recommend you replace your Rainbow Power Nozzle belt every 12 to 18 months, or when you notice decreased cleaning performance. Your Power Nozzle comes with one replacement belt, and can be easily changed in just a few minutes. This replacement belt is located in the spare belt pocket under the sole plate. For additional replacement belts, contact an Authorized Rainbow Distributor.

⚠ WARNING: Always disconnect from electrical supply when servicing.

1. Turn the Power Nozzle upside down. Using a flat-bladed screwdriver or coin, turn the fastener a quarter-turn to the left (counterclockwise).
2. Using both thumbs, push tabs on both sides of sole plate outward while lifting to unlock.
3. Next, insert index fingers into two side openings near wheels. Pull side tabs up while pushing in to lift off sole plate.
4. Rotate brush roll assembly forward (note that edge cleaning brushes are upside down) and remove.
5. a) Slide worn or broken belt off motor shaft with finger; b) Lift brush roll out and remove worn belt.
6. Place new belt over the end of brush roll assembly. Position new belt around the pulley.
7. a) Place brush roll upside down with edge cleaning brushes centered on top of two side tabs. Slide belt over end of motor shaft; b) Rotate brush roll assembly forward until edge cleaning brushes are face up. Spin brush roll toward you to position the belt on the center of the pulley.
8. Position sole plate over top of Power Nozzle cover. Press down until front, two side tabs and back tabs snap and lock in.
9. Using a flat-bladed screwdriver or coin, turn the fastener a quarter-turn to the right (clockwise) to lock sole plate. Assembly is complete.



user troubleshooting guide

Your Rainbow® is equipped with a feature that disconnects the power to the accessory hose under certain abnormal conditions.



INDICATOR LIGHT CODE	POTENTIAL CAUSE	CORRECTIVE ACTION
Continuous Light	Unit is turned on while hose handle trigger is in "locked-on" position (Power Nozzle will emit pulsing sound).	Release hose handle trigger lock for 3 seconds. Resume normal use.
Blinks 2 Times, Repeats	Power Nozzle brush roll is obstructed.	Turn unit off / unplug unit. Remove debris from Power Nozzle brush roll. Resume normal operation.
	Electrical connections are wet.	Turn unit off / unplug unit. Dry electrical connections. Resume normal operation.
		If the corrective action does not fix the problem: Contact an Authorized Distributor or Service Center.
Blinks 4 Times, Repeats	Electrical connections are wet.	Turn unit off / unplug unit. Dry electrical connections. Resume normal operation.
		If the corrective action does not fix the problem: Contact an Authorized Distributor or Service Center.
Blinks 6 Times, Repeats	Electrical hose or wand connection problem.	Contact an Authorized Distributor or Service Center.

troubleshooting guide

This Rainbow appliance has been thoroughly tested and inspected. If a minor issue develops, the following troubleshooting procedures may help identify and correct the issue. If you are unable to resolve the issue, contact an Authorized Rainbow Distributor for service. Any service procedure not listed below should be performed by an Authorized Rainbow Distributor or Service Center.

⚠ WARNING: Disconnect electrical supply before performing maintenance to the unit. Failure to do so could result in electrical shock or personal injury.

ISSUE	POSSIBLE CAUSE	POSSIBLE SOLUTION
The Rainbow motor is not running.	Rainbow not properly latched to water basin. Air inlet screen is plugged with debris.	Ensure side latches of water basin are locked.
	Not firmly plugged in.	Plug unit in firmly or try another outlet.
	Air inlet screen is plugged with debris.	Clean off debris thoroughly.
Noticeably reduced airflow.	Automatic resetting motor protector has tripped.	Turn Rainbow off. Leave off for 30 seconds. Turn Rainbow back on.
	Defective cord, switch or Rainbow.	Contact an Authorized Rainbow Distributor or Service Center.
Noticeably reduced airflow.	Rainbow not correctly positioned on water basin.	Ensure Rainbow is properly seated and latched onto water basin.
	Plugged hose, wand, attachment or Power Nozzle.	Remove obstruction from clogged area.
	HEPA Neutralizer needs servicing or replacement.	Remove HEPA Neutralizer and clean or replace.
	Rainbow is running on low speed.	Turn power switch to high speed.
Unit discharges dust.	Separator is clogged or dirty.	Remove separator and clean. (See page 10)
	Low level of water in basin.	Fill water basin to correct level.
	Excessively dirty water in basin.	Replace with clean water.
Heavy foaming in water basin.	Hole in HEPA Neutralizer.	Contact an Authorized Rainbow Distributor or Service Center.
	Soapy contaminant in water basin.	Replace with clean water.
	High level of water in basin.	Empty water basin and refill to correct level.

ISSUE	POSSIBLE CAUSE	POSSIBLE SOLUTION
Unit discharges a musty odor	Water basin not cleaned or dumped after use.	Clean water basin and use Deodorant Air Freshener while cleaning.
	Separator clogged or dirty.	Remove separator and clean. (See page 10)
	Damp HEPA Neutralizer.	Remove HEPA Neutralizer and clean or replace.
Machine running hot; Burning odor noticed.	Rainbow stored on water basin.	Do not store Rainbow on water basin.
	Plugged hose, wand, attachment or Power Nozzle.	Remove obstruction from clogged area.
Unusual tone, noise or vibration.	Rainbow not seated on water basin properly.	Ensure Rainbow is properly seated and latched onto water basin.
	Separator clogged or dirty.	Remove separator and clean.
The Power Nozzle motor is not running.	Water level is above center dome in water basin.	Empty water basin and refill to correct level.
	Trigger Lock Switch is in the off position.	Move the switch to the middle position and depress trigger.
	Handle switch is not activated.	Must squeeze actuator in electrified hose handle.
	Wands not connected.	Make sure wands are properly connected.
	Wand connections not made	Make sure wands are seated properly.
	Automatic resetting motor protector has tripped.	Turn Rainbow off. Leave off for 30 second. Turn Rainbow back on.
The Power Nozzle motor is running but brush is not revolving.	Broken belt.	Disconnect power; Remove sole plate; Make sure brush rotates freely; Replace belt.
The Power Nozzle brush is stopped and cannot be rotated by hand.	Object lodged in brush chamber.	Disconnect power; Remove sole plate; Remove foreign object; Make sure brush rotates freely.
	Bearing worn out.	Contact an Authorized Rainbow Distributor or Service Center for a replacement brush.
The Power Nozzle is not picking up debris well.	Clogged air chamber.	Disconnect power; Remove sole plate; Clear out entire air chamber;
	Clogged wands or hose.	Disconnect power; Remove obstruction; Connect to Rainbow; Make sure air is flowing freely through hose.
	Bristles not in contact with carpet.	Make sure sole plate is completely in position before latching; Replace brush if bristles are worn too short.
	Edge cleaning brushes are worn.	Contact an Authorized Rainbow Distributor or Service Center for a replacement edge brushes.

rainbow® fragrances & cleaning solutions

For more information about these products, please contact an Authorized Rainbow Distributor.



rainbow® fragrances

Bring the sweet and refreshing smell of a spring garden or the great outdoors into your home with Rainbow fragrances.

Eucalyptus

Berry

Orange

Lemon

Apple Blossom

Pine

Vanilla

Violet

Gardenia

Spice



the luxury collection

Indulge your senses with the Rainbow® Luxury Collection, available in four intriguing spa scents.

Tea Tree Mint

Mandarin Rosewood

Orange Ginger

Lavender Juniper



fresh air

This highly-concentrated deodorizer and air freshener solution alleviates objectionable household odors such as fish, tobacco, cabbage, paint, etc., while you clean.



clean floor

Rainbow Clean Floor solution is ideal for thoroughly cleaning linoleum or tile floors. Just spread on Clean Floor solution in and let it do the work.



aquamate®

Specially formulated for use with the Rainbow AquaMate, the AquaMate Carpet Cleaning solution combines cleaner, deodorizer, protector and reconditioner for superior cleaning results.



rexafoamer

Rexafoamer Shampoo solution quickly removes unsightly traffic film from rugs and carpets. No hard scrubbing required. Cleanses thoroughly, dries quickly.

limited warranty

Rexair provides to its independent Authorized Rainbow Distributors, and only to them, a written four (4) year warranty on the Rainbow Cleaning System and attached accessories and an eight (8) year warranty on the vacuum cleaner motor/electronic controller. Replacement parts can be new or remanufactured as provided at Rexair's sole discretion. These warranties do not cover normal wear-and-tear arising from usage of the products. Even though Rexair, as the manufacturer, does not deal directly with the consumer nor provide the consumer with a written warranty, the law imposes certain responsibilities on all manufacturers who make consumer products. The products must not be defective and must be generally fit for their intended uses. These implied warranties of merchantability and fitness are honored by Rexair. Further, Rexair requires each Authorized Distributor to pass through to the consumer, by way of the Authorized Distributor's own written warranty, the benefit of Rexair's warranty to such Distributor.

Rexair sells the Rainbow to its independent Authorized Rainbow Distributors for resale by those Distributors and their agents solely through in-home demonstrations to ultimate user-owners. Any other sale, including sales through the Internet, is strictly prohibited. Any product purchased in any other sale is not covered by the Authorized warranties.

The manufacturer, Rexair, has established a proud heritage of selling a superior product through independent Authorized Distributors for more than 75 years, and is committed to the service and support of Rainbow owners.

Rexair sells the Rainbow Cleaning System only to independent Authorized Distributors who are experienced in direct in-the-home selling. These Authorized Distributors assume responsibility for the legitimate distribution and service of the Rainbow Cleaner directly through their own dealers, or indirectly through independent sub Distributors and their dealers.

Rexair has no agreement or legal relationship with the independent resellers who acquire products directly or indirectly from an Authorized Distributor, and can only attempt to correct any customer complaints about such resellers by acting through the responsible Authorized Distributor. Rexair's announced policy is to hold each Authorized Distributor responsible for remedying any complaint from any member of the buying public relating to sales or service by any of these independent resellers.

Rexair further requires that each Authorized Distributor make prompt and workmanlike service available through its own service outlets or through responsible independent service outlets in those communities in which it sells Rexair products through its independent sub Distributors and dealers.

Do not lose the name and address of the Dealer or Distributor from whom you bought the Rainbow Cleaner. Contact him or her for advice on caring for your Rainbow, warranty coverage, service and the nearest service outlet. If you are unable to contact them, or feel you are not receiving proper assistance from the Authorized Distributor, feel free to contact Rexair's customer service department for assistance. They will provide you the name, address and phone number of an Authorized Distributor for your area.



Clean Air Delivery Rate

Rainbow
e SERIES e²

Certified Rating

From air cleaner to air cleaner, compare the Clean Air Delivery Rate (CADR) numbers. First, look at suggested room size. Then refer to the tobacco smoke, dust and pollen CADR numbers.

The Rainbow® e² is suggested for use in a single closed room up to 90 square feet.

Room size ratings conform to the AHAM Certification Program criteria of 80% smoke reduction. Higher Clean Air Delivery Rates provide improved performance in all room sizes. Portable air cleaners will be much more effective in rooms where all doors and windows are closed.

CADR Ratings

Tobacco Smoke: 55

Dust: 61

Pollen: 67

The higher the numbers, the faster the unit filters the air.

These values represent performance that can be expected within the first 72 hours of operation. Subsequent performance may vary with use.

Association of Home Appliance Manufacturers



ID #: 75932


SILVER

Green Label Certified Vacuums

Superior Cleaning and Indoor Air Quality

- Soil Removal
- Dust Containment
- Fiber Protection

carpet-rug.org

<h1>SILVER</h1>	<p>carpet-rug.org</p>
<p>ID #: 75932</p>	<ul style="list-style-type: none"> • Soil Removal • Dust Containment • Fiber Protection
	<h2>Superior Cleaning and Indoor Air Quality</h2>
	<h2>Green Label Certified Vacuums</h2>

	<p>Clean Air Delivery Rate Certified Rating</p> <p>RAINBOW® e SERIES e</p> <p>Tasas de CADR</p> <p>Humo de tabaco: 55</p> <p>Polvo: 61</p> <p>Polen: 67</p> <p>Cuanto más alta la numeración, tanto más rápido filtrará el aire el aparato.</p> <p>Estos valores representan el rendimiento que se prevé en las primeras 72 horas de operación. Subsecuentemente el rendimiento puede variar con el uso.</p>
<p>De purificador de aire a purificador de aire, compare las cifras de la Tasa de Entrega de Aire Limpio (CADR). Primero, vea el tamaño del cuarto. Después, consulte las cifras de CADR en relación al humo de tabaco, polvo y polen.</p>	<p>Se sugiere que el Rainbow® e se use en un cuarto cerrado de no más de 8.5 metros cuadrados.</p> <p>La clasificación del tamaño de cuartos se apega a las normas del programa de la Certificación de AHAM de un 80%. Mayores Tasas de Entrega de Aire Limpio proporcionarán un mejor rendimiento en cuartos de todos tamaños. Los purificadores de aire portátiles funcionan con mayor efectividad en cuartos donde las puertas y las ventanas estén cerradas.</p>
<p>Association of Home Appliance Manufacturers</p> 	

garantía limitada

Rexair proporciona a sus Distribuidores Autorizados independientes de Rainbow, y sólo a ellos, una garantía escrita por cuatro (4) años del Sistema de Limpieza Rainbow y de los accesorios incluidos; y una garantía de ocho (8) años del motor/controlador electrónico. Las piezas reemplazadas pueden ser nuevas o re fabricadas según lo disponga Rexair a su entera discreción. Estas garantías no cubren el desgaste normal que surge de la utilización de los productos. A pesar de que Rexair, como el fabricante, no trata directamente con el cliente ni le proporciona al consumidor una garantía escrita, la ley impone ciertas responsabilidades sobre todos los fabricantes que hacen productos de consumo. Los productos no deben ser defectuosos y deben estar hechos para ajustarse a los usos intencionados. Estas garantías implícitas de comerciabilidad e idoneidad son respetadas por Rexair. Además, Rexair requiere que cada Distribuidor Autorizado le pase al consumidor, a través de la garantía escrita propia del Distribuidor Autorizado, el beneficio de la garantía de Rexair a dicho Distribuidor.

Rexair vende Rainbow a sus Distribuidores Autorizados independientes para que sea revendida por dichos Distribuidores y sus agentes solamente a través de demostraciones a los futuros usuarios-dueños en el hogar. Cualquier otro tipo de venta, incluyendo ventas a través del Internet, está estrictamente prohibida. Cualquier producto comprado en otro tipo de venta no está cubierto por la garantía Autorizada.

El fabricante, Rexair, ha establecido una orgullosa herencia de ventas de un producto superior a través de Distribuidores Autorizados por más de 75 años, y está comprometido con el servicio y respaldada a los dueños de Rainbow. Rexair vende el Sistema de Limpieza Rainbow sólo a Distribuidores Autorizados independientes que cuentan con experiencia en venta directa en el hogar. Estos Distribuidores Autorizados asumen la responsabilidad por la distribución y servicio legítimo del Limpiador Rainbow directamente a través de sus propios comerciantes, o indirectamente a través de sub-Distribuidores y sus comerciantes.

Rexair no tiene ningún acuerdo o relación legal con los revendedores independientes que adquieren el producto Autorizado como responsable para remediar cualquier queja, por parte de cualquier miembro del público comprador, relacionada a las ventas o al servicio de cualquiera de estos revendedores independientes. Rexair requiere además que cada Distribuidor Autorizado brinde un servicio rápido y eficiente disponible a través de su propio servicio de venta o a través del servicio de venta independiente y responsable en esas comunidades en que vende los productos de Rexair a través de sub-Distribuidores y comerciantes.

No pierda el nombre y la dirección del Comerciante o Distribuidor del que adquirió el Limpiador Rainbow. Contáctelo para obtener consejos para el cuidado de su Rainbow, cobertura de la garantía, servicio y el servicio de venta más cercano. Si usted no puede conectarlo, o siente que no está recibiendo la asistencia correcta de su Distribuidor Autorizado, no dude en contactar al Departamento de Servicio al Cliente de Rexair para obtener asistencia. Le darán el nombre, dirección y número de teléfono del Distribuidor Autorizado de su zona.

fragancias rainbow® y soluciones

Para más información acerca de estos productos contáctese con un Distribuidor Autorizado de Rainbow.



la colección de lujo

Mime sus sentidos con nuestra colección de lujo, disponible en cuatro esencias enigmáticas.

Menta y Arbol de té
Palo de rosa y Mandarina
Naranja y Jengibre
Enebro y Lavanda



fragancias rainbow®

Lleve el olor dulce y refrescante de los jardines primaverales o de la naturaleza a su hogar con las fragancias Rainbow.

Eucalipto
Mora
Naranja
Limón
Manzana

Pino
Vanilla
Violeta
Gardenia
Especias

aire fresco

Esos desodoradores altamente concentrados y las soluciones refrescadoras de aire alivian los olores desagradables del hogar tales como pescado, tabaco, repollo, pintura, etc., mientras usted limpia.



limpieza del piso

La solución Rainbow para limpiar el piso es ideal para limpiar a fondo los pisos de linóleo o embaldosados. Simplemente, espere la solución para limpiar el piso y déjela que haga su trabajo.



agumate®

Formulado especialmente para ser utilizado con el Rainbow Aquamate, la solución para limpiar alfombras Aquamate combina limpiador, desodorador, protector y recondicionador para resultados superiores de limpieza.



refofoamer

La solución de champú Rexpofoamer remueve las películas antiestéticas de las alfombras y tapetes. No requiere fregar. Limpia profundamente, seca rápida.



PROBLEMA	La unidad despide olor a humedad.	Separador obstruido o sucio.	Quite el separador y límpielo (vea la página 10).
PROBLEMA	La máquina se calienta; siente olor a quemado.	El Rainbow no fue posicionado en el recipiente de agua correctamente.	<p>Quite la obstrucción del área atascada.</p> <p>Quite el separador y límpielo.</p> <p>Quite el neutralizador HEPA y límpielo o reemplácelo.</p> <p>No guarde el Rainbow en el recipiente de agua.</p> <p>Manguera, tubo, accesorio o Power Nozzle enchufado.</p>
PROBLEMA	La máquina se calienta; siente olor a quemado.	El Rainbow no fue posicionado en el recipiente de agua correctamente.	<p>Quite la obstrucción del área atascada.</p> <p>Quite el separador y límpielo.</p> <p>Quite el neutralizador HEPA y límpielo o reemplácelo.</p> <p>No guarde el Rainbow en el recipiente de agua.</p> <p>Manguera, tubo, accesorio o Power Nozzle enchufado.</p>
PROBLEMA	Tono, sonido o vibración inusual.	Separador obstruido o sucio.	Saque el separador y límpielo.
PROBLEMA	El motor del Power Nozzle no funciona.	<p>El interruptor que bloquea el gatillo está en la posición apagado.</p> <p>El nivel de agua está por encima de la burbuja central del recipiente de agua.</p>	<p>Mueva el interruptor a la posición intermedia y pulse el gatillo.</p> <p>Vacíe el recipiente de agua y vuelva a llenarlo para corregir el nivel.</p>
PROBLEMA	El motor del Power Nozzle se detuvo y no se puede girar manualmente.	Objeto alojado en la cámara del cepillo.	<p>Desconecte la electricidad; quite la placa de asiento; quite el objeto ajeno; asegúrese de que el cepillo gire libremente.</p>
PROBLEMA	El motor del Power Nozzle está andando, pero el cepillo no está girando.	Correa rota.	<p>Desconecte la electricidad; quite la placa de asiento; asegúrese de que el cepillo gire libremente; reemplácelo la correa.</p>
PROBLEMA	El cepillo del Power Nozzle se levanta demasiado bien los desechos.	Cámara de aire obstruida.	<p>Limpe la cámara de aire completa.</p>
PROBLEMA	El protector de reinicio automático del motor se ha activado.	Los tubos no están bien conectados.	<p>Asegúrese de que los tubos estén colocados correctamente.</p> <p>Apague el Rainbow. Déjelo apagado durante 30 segundos. Vuelva a encenderla.</p>
PROBLEMA	El cepillo del Power Nozzle se detuvo y no se puede girar manualmente.	Objeto alojado en la cámara del cepillo.	<p>Desconecte la electricidad; quite la placa de asiento; quite el objeto ajeno; asegúrese de que el cepillo gire libremente.</p>
PROBLEMA	El Power Nozzle no está levantando bien los desechos.	Cámara de aire obstruida.	<p>Desconecte la electricidad; quite la solera; limpie la cámara de aire completa.</p>
PROBLEMA	Manguera o tubos obstruidos.		<p>Desconecte la electricidad; quite la obstrucción; conecte el Rainbow; asegúrese de que el aire fluye libremente por la manguera.</p>
PROBLEMA	Los cepillos limpiadores de bordes están muy desgastados.	Los cepillos limpiadores de bordes están muy desgastados.	<p>Asigne de que la placa de asiento esté en la posición correcta antes de asegurarla; Reemplace el cepillo si las cerdas están muy desgastadas.</p> <p>Contacte a un Distribuidor Autorizado de Rainbow o Centro de Servicio para reemplazar los cepillos de los bordes.</p>
POSIBLE SOLUCIÓN			

PROBLEMA	POSSIBLE CAUSA	POSSIBLE SOLUCIÓN
El motor del Rainbow no está funcionando.	El Rainbow no está asegurado correctamente al recipiente de agua. La rejilla de entrada de aire está tapada por desechos.	Conecte la unidad firmemente o pruébela en otro enchufe. Limpie los desechos a fondo.
El protector de reinicio automático del motor se ha activado.	Cable, interruptor o Rainbow defectuosos.	Apague el Rainbow. Déjelo apagado durante 30 segundos. Vuelva a encenderlo. Contacte a un Distribuidor Autorizado de Rainbow o al Centro de Servicio.
Flujo de aire reducido notablemente.	El Rainbow no está posicionado correctamente en el recipiente de agua. Manguera, tubo, accesorio o Power Nozzle conectado.	Asegúrese de que el Rainbow esté correctamente posicionado y asegurado al recipiente de agua. Remueva la obstrucción del área atascada.
La unidad despide suciedad.	Bajo nivel de agua en el recipiente. Cantidad excesiva de agua sucia en el recipiente.	Reemplácela con agua limpia. Reemplácela con agua limpia.
La unidad despide olor a humedad.	El separador está obstruido o sucio. El Rainbow se está funcionando en baja velocidad.	Quite el separador y límpielo (ver página 10). Ponga el interruptor de potencia en velocidad alta.
Espuma densa en el recipiente de agua.	El neutralizador HEPa necesita ser revisado o reemplazado. El neutralizador HEPa necesita ser revisado.	Reemplácelo con agua limpia. Reemplácelo con agua limpia.
La unidad despide olor a humedad.	El recipiente de agua no fue limpiado o el agua no fue botada después de su uso. Nivel alto de agua en el recipiente.	Limpie el recipiente de agua y utilice desodorante refrescador de aire mientras limpia. Vacíe el recipiente de agua y vuelva a llenarlo con el nivel correcto.

El Rainbow ha sido probado minuciosamente. Si surge un problema menor, los siguientes procedimientos para resolver problemas pueden ayudarlo a identificar y resolver el problema. Si usted no es capaz de resolver el problema, contáctese con un Distribuidor Autorizado del Rainbow para que lo repare. Cualquier procedimiento de reparación que no esté en la siguiente lista debe ser ejecutado por un Distribuidor Autorizado de Rainbow o por un Centro de Servicio. **¡ATENCIÓN:** Desconecte la alimentación eléctrica antes de llevar a cabo el mantenimiento de la unidad. Si no lo hace puede sufrir descargas eléctricas o heridas personales.

Guía para resolver problemas

guía de usuario para resolver problemas

Si Rainbow® está equipado con una función que desconecta la corriente eléctrica de la manguera accesorio bajo ciertas condiciones anormales.



CÓDIGO DEL INDICADOR DE LUZ	POSIBLE CAUSA	ACCIÓN CORRECTIVA
Luz continua	La unidad está encendida mientras el gatillo de la manija de la manguera está en posición de bloqueo "locked-on" (el Power Nozzle emitirá un sonido intermitente).	Desbloquee el gatillo de la manija de la manguera por 3 segundos. Reanude el uso normal.
Parpadea 2 veces, se repite	El rodillo del cepillo del Power Nozzle está obstruido.	Apague la unidad / desconecte la unidad. Elimine los desechos del rodillo del cepillo del Power Nozzle. Reanude el uso normal.
	Las conexiones eléctricas están húmedas.	Apague la unidad / desconecte la unidad. Seque las conexiones eléctricas. Reanude el uso normal.
		resuelva el problema: Si la acción correctiva no resuelve el problema: Contáctese con un Distribuidor Autorizado o con el Centro de Servicio.
Parpadea 4 veces, se repite	Las conexiones eléctricas están húmedas.	Apague la unidad / desconecte la unidad. Seque las conexiones eléctricas. Reanude el uso normal.
		resuelva el problema: Si la acción correctiva no resuelve el problema: Contáctese con un Distribuidor Autorizado o con el Centro de Servicio.
Parpadea 6 veces, se repite	Problema en la conexión de la manguera eléctrica o de la varilla.	Contáctese con un Distribuidor Autorizado o con el Centro de Servicio.

reemplazo de la correa del power nozzle™

Para un mejor rendimiento, recomendamos que reemplace la correa del Power Nozzle de su Rainbow cada 12 o 18 meses, o cuando nota que el rendimiento de la limpieza está disminuyendo. Su Power Nozzle viene con una correa de repuesto y puede cambiarse fácilmente en sólo unos minutos. Esta correa de repuesto está ubicada en la caja de la correa de repuesto debajo de la placa de asiento. Para obtener correas de repuesto adicionales contáctese con un Distribuidor Autorizado de Rainbow.

1 **ATENCIÓN:** Siempre desconecte la fuente de energía cuando la revise.

1. Dé vuelta el Power Nozzle. Utilizando un destornillador angosto o una moneda, gire el cierre un cuarto de vuelta hacia la izquierda (en sentido contrario al de las manecillas del reloj).

2. Utilizando ambos pulgares, empuje las lengüetas en ambos lados de la placa de asiento hacia afuera mientras levanta para desbloquear.

3. Luego, inserte los dedos índices en los orificios de dos lados cerca de las ruedas. Empuje las lengüetas de los costados hacia arriba mientras empuja hacia adentro para despegar la solera.

4. Rote el accesorio de rodillo del cepillo hacia adelante (note que los cepillos para limpieza de los bordes están al revés) y quítele.

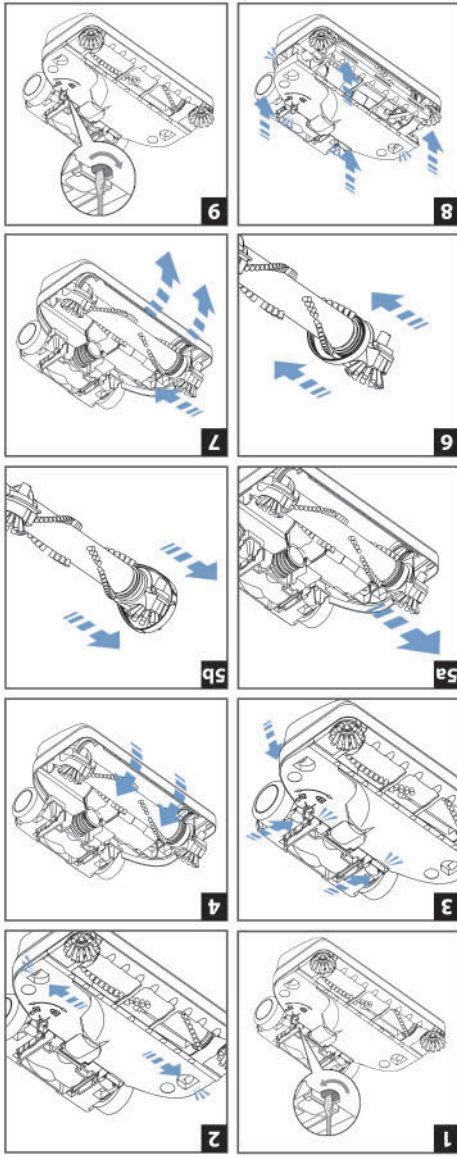
5. a) Deslice la correa desgastada o rota fuera del eje del motor con los dedos; b) Saque el rodillo del cepillo y quite la correa desgastada.

6. Coloque la nueva correa sobre el extremo del rodillo del cepillo. Coloque la nueva correa alrededor de la polea.

7. a) Coloque el rodillo del cepillo al revés con los cepillos limpiadores de bordes centrados en la parte superior de las lengüetas de dos lados. Deslice la correa sobre el extremo del eje del motor; b) Rote el rodillo del cepillo hacia adelante hasta que los cepillos limpiadores de bordes estén hacia arriba. Gire el rodillo del cepillo hacia usted para posicionar la correa en el centro de la polea.

8. Posicione la solera sobre la parte superior de la cubierta del Power Nozzle. Presione hacia abajo hasta que las lengüetas de dos lados del frente y de atrás se cierren y se fijen.

9. Utilizar un destornillador angosto o una moneda, gire el cierre un cuarto de vuelta hacia la derecha (en el sentido de las agujas del reloj) para bloquear la solera. El montaje está completo.



montaje y operación del power nozzle™

Montaje

a. Antes de utilizar el Power Nozzle, siga

rápido en las páginas 8-9 para preparar

el Rainbow.

b. Inserte el tubo inferior con el extremo

macho en el orificio ubicado en la parte

superior del Power Nozzle. Presione

hacia abajo hasta que el botón de

Operación

a. Conecte el Rainbow.

b. Coloque el interruptor del Rainbow en el

modo ALTO.

c. En la manija de la manguera, coloque

la rejilla de control de flujo de aire en

POTENCIA TOTAL.

d. Para desconectar en posición vertical,

ponga su pie izquierdo encima del Power

Nozzle. Luego, tome el tubo y tire

hacia atrás.

e. Apriete el gatillo del pico tipo pistola de

la manija de la manguera para activar

el Power Nozzle. Suelte el gatillo para

apagar el Power Nozzle. Opcional: Utilice

el interruptor de bloqueo del gatillo (ver

la página 7).

f. Guíe el Power Nozzle hacia atrás y hacia

adelante lentamente sobre la alfombra

con golpes suaves y pequeños. Deje que

el Power Nozzle y el Rainbow hagan

el trabajo.

g. Para mantener el Power Nozzle en la

posición vertical, ponga su pie izquierdo

encima del Power Nozzle. Luego,

tome el tubo y empuje hacia adelante

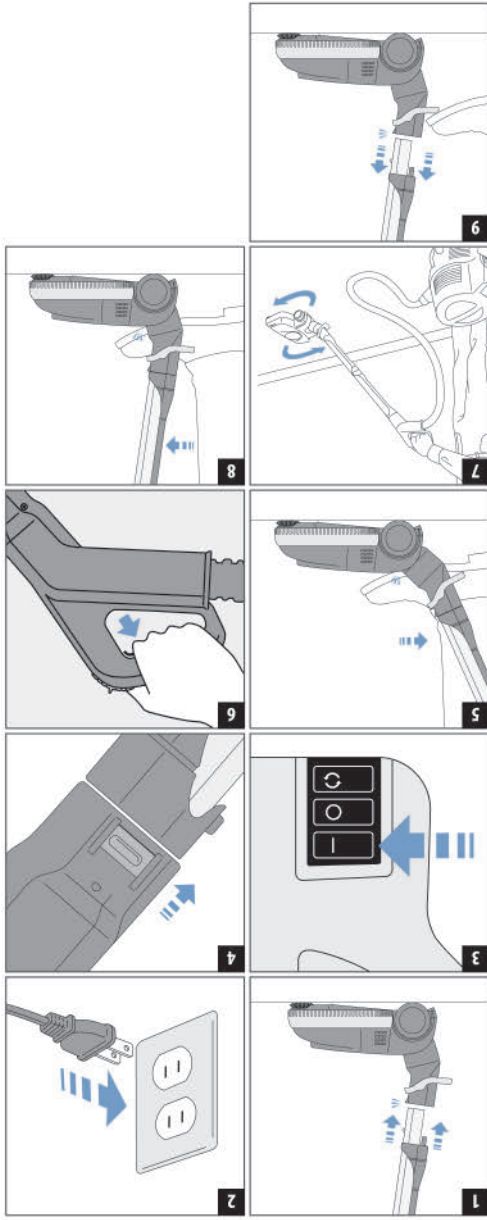
hasta que el sistema esté enganchado

completamente en los sujetadores.

h. Para desconectar el Power Nozzle del

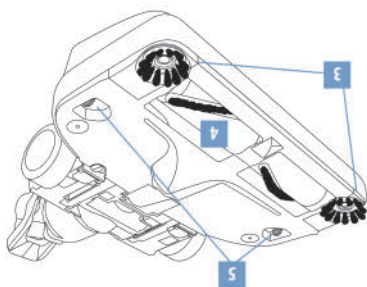
tubo, ponga su pie en el desbloqueo de

pedal encima del brazo pivotante.



el power nozzle™ de rainbow

El Power Nozzle de Rainbow es muy ligero y limpia de manera profunda alfombras y tapetes y es excelente para limpiar superficies duras. Su potente cepillo giratorio ahoja las pelusas, hilos, cabellos y suciedad, dejando su alfombra suave y limpia. Los cepillos limpiadores de los bordes activos ayudan a remover la suciedad atrapada a lo largo de los bordes de la alfombra, a lo largo de los zócalos o cerca de los muebles. Ajuste el control de flujo de aire en POTENCIA TOTAL.

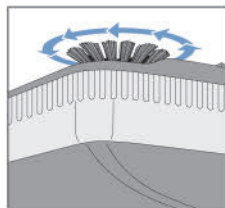


*Disponible como un accesorio opcional. Para más información, contacte a un Distribuidor Autorizado de Rainbow.

1. Desbloqueo de pedal
 2. Brazo pivotante
 3. Cepillos activos de bordes
 4. Rodillo del Cepillo
 5. Sujetadores de la solera
- Contacte un Distribuidor Autorizado de Rainbow para reemplazar las correas del Power Nozzle y otros suministros.

Limpieza activa de los bordes...

El Rainbow Power Nozzle viene con un cepillo limpiador activo de bordes en ambos lados. Guíe ambos lados del Power Nozzle a lo largo de los zócalos o junto a los muebles para ayudar a remover la suciedad atrapada a lo largo de los bordes de la alfombra.



- ATENCIÓN:** Para evitar el riesgo de descarga eléctrica, NUNCA recoja agua ni otro fluido con el Power Nozzle.
- CUIDADO:** Utilice el Power Nozzle para levantar sólo cosas secas. No lo utilice afuera o en superficies mojadas.
- CUIDADO:** Nunca levante objetos duros o filosos con el Rainbow Power Nozzle. Los elementos como alfileres, horquillas, tachuelas, crayones y lápices pueden causar daños al rodillo del cepillo o a la correa.
- CUIDADO:** Siempre asegúrese de que su Rainbow esté desconectada antes de ajustar su Power Nozzle.
- CUIDADO:** Siempre desconecte la unidad de la alimentación de electricidad cuando la revise.
- CUIDADO:** No eche aceite al motor. El motor está permanentemente lubricado y sellado.
- CUIDADO:** Consulte al fabricante de pisos antes de usar el Rainbow Power Nozzle sobre superficies duras sin alfombrar. A continuación, realice una prueba con el Power Nozzle en un lugar poco visible para verificar que el piso no se dañe por su uso.

mejore su rainbow® con accesorios

Para obtener más información acerca de estos productos, póngase en contacto con un Distribuidor Autorizado de Rainbow.



El Rainjet llega adonde ningún trapeador jamás haya llegado. El tanque de solución independiente y de gran capacidad del Rainjet permite una limpieza superior para aquellos trabajos de limpieza mayores. Los accesorios de esponja y cepillo pueden ser utilizados indistintamente en pisos con azulejos y linóleo para limpiar la suciedad y los desechos incrustados. Voltee la esponja y la hoja extractora squeegee dejará el piso impecable. Utilícelo con la solución Clean Floor para obtener resultados de limpieza superiores.



La unidad de extracción de limpieza de tapetes de AquaMate le permite conseguir resultados profesionales sin tener que pagar una fortuna. El AquaMate funciona efectivamente en la mayoría de tapetes y seca de forma rápida. Las manchas causadas por bebidas derramadas, mascotas y rastros de barro se pueden quitar rápidamente. Sus vecinos pensarán que un profesional ha limpiado sus alfombras. Utilícelo con la solución de limpieza para Alfombras de AquaMate para obtener resultados de limpieza superiores.



El brillante y liviano diseño del RainbowMate le permite tener acceso y limpiar las superficies más pequeñas, como las escaleras, muebles y el interior de los vehículos. El RainbowMate tiene un cepillo motorizado para lograr un rendimiento máximo.



¿Está preparado para disfrutar de una refrescante brisa? El RainMate le proporciona un aire agradable de la manera más práctica, única y atractiva posible. Solamente agregue unas gotas de su fragancia favorita de Rainbow o la solución de Aire Fresco de Rainbow en el recipiente de agua del RainMate y séntase transportado a un bosque de pinos.

Cepillo Grande para barrer Pisos y Paredes

La manquera extendida de 14 pies proporciona un alcance adicional cuando utiliza los accesorios de Rainbow y el Power Nozzle. Es práctico para limpiar escaleras largas y todos los techos.

Recipiente de agua de 4 cuartos de galón (3,76 Litros)

El recipiente de agua de 4 cuartos de galón está disponible para trabajos que requieren una mayor limpieza, permitiéndole limpiar durante más tiempo sin la necesidad de cambiar el agua. El recipiente de agua de 4 cuartos de galón entra en el soporte rodante del Rainbow y dobla la capacidad de limpieza del Rainbow.

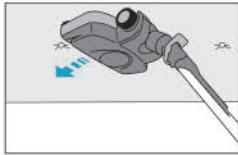
Rexafoamer

El Rexafoamer crea espuma de jabón "seca" de champú líquido. Sus tapetes y alfombras pueden ser limpiados económicamente con calidad profesional en su casa. Utilícelo con la solución de Champú de Rexafoamer para obtener resultados de limpieza superiores.

una solución completa de limpieza del hogar

Para refrescar la ropa de cama...

Utilice la boquilla con motor propio Rainbow Power Nozzle. Se pueden limpiar a fondo colchones, somieres, respaldos de cama, almohadas, cunas y sacos de dormir con el Sistema de Limpieza Rainbow. Utilice la Rainbow Power Nozzle para aflojar y eliminar pelos, piel muerta, ácaros del polvo, migas y otras partículas de la ropa de cama. Precaución: el uso de la Rainbow Power Nozzle en ropa fina y ropa de cama suave puede causar daño.



Para inflar o soplar aire...

Utilice la herramienta infladora. La herramienta infladora del Rainbow funciona estupidamente para inflar rápidamente colchones inflables, pelotas de playa y otros juguetes inflables.

¡ATENCIÓN: Asegúrese de que la clavija del inflador esté asegurada correctamente en su lugar. De lo contrario, será expulsada con fuerza de la herramienta.

INSTRUCCIONES:

1. Quite el panel de salida trasero en el Rainbow.
2. Ajuste la manguera del Rainbow al orificio de salida.
3. Ajuste la herramienta infladora al extremo del tubo de la manija de la manguera.
4. Ajuste el control de flujo del aire en POTENCIA TOTAL.
5. Ajuste la herramienta infladora a la manija de la manguera.
6. Inserte la clavija del inflador en la boquilla del objeto a inflar.
7. Ponga el interruptor del Rainbow en ALTA VELOCIDAD.

MODOSOPLADOR



MODOSUCCIONADOR

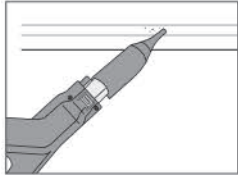


CLAVIA DEL INFLADOR



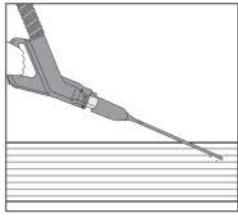
Para limpiar zonas estrechas...

Utilice el inflador de espacios reducidos. Para una limpieza exhaustiva de zonas difíciles de alcanzar, utilice el inflador de espacios reducidos. Esta herramienta versátil puede utilizarse tanto con la clavija del inflador o con un rodillo inflador, dependiendo de su situación de limpieza específica. **CONSEJO:** el inflador de espacios reducidos funciona estupidamente para limpiar el interior de su vehículo.



Para limpiar debajo de los refrigeradores...

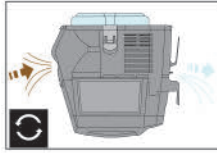
Utilice el rodillo inflador. Una de las zonas más pasadas por alto cuando se limpia la casa es debajo del refrigerador. Los rodillos refrigerantes y eficientes atraen el polvo y las migas, y pueden resultar menos efectivos y eficientes en el consumo de energía cuando están cubiertos de suciedad. Debido a su diseño delgado, el rodillo inflador puede utilizarse para aspirar fácilmente los rodillos refrigerantes de su refrigerador y debajo de su lavadora o secadora.



una solución completa de limpieza del hogar

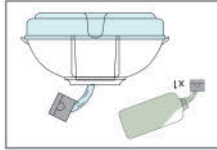
Para aire fresco, libre de humedad...

El Rainbow no sólo limpia sus pisos y muebles, ¡también limpia el aire! Simplemente, agregue agua al recipiente, posicione el Rainbow en el centro de una habitación y ejecútle en el modo de velocidad baja durante una hora aproximadamente. El Rainbow quitará los olores fuertes, el polvo del aire y otras partículas del aire, atrapándolas en el agua.



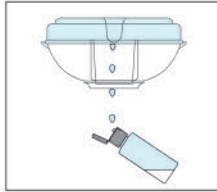
Para desodorizar...

Utilice la solución de aire fresco Rainbow*. Antes de utilizar el Rainbow, simplemente agregue una taza de la solución de aire fresco Rainbow en el recipiente del agua. El Rainbow hará circular y refrescará el aire en toda el área mientras usted limpia, aliviando muchos olores desagradables del hogar.



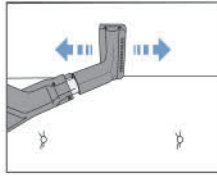
Para aromatizar...

Utilice las fragancias Rainbow*. Agregue algunas gotas de cualquier fragancia Rainbow al recipiente de agua. Coloque el Rainbow en el centro de la habitación y hágalo funcionar en la velocidad baja. En cuestión de minutos, una fragancia placentera se impregnará en su hogar.



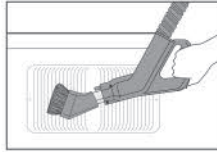
Para limpiar tapizados de los muebles...

Utilice la herramienta para limpiar tapizados. La sujeción profunda puede reducir la vida y vitalidad de la tela. La herramienta para limpiar tapizados remueve efectivamente la suciedad de los muebles tapizados. Con el exclusivo Cepillo para boquillas sujetado del Rainbow, la suciedad superficial y el pelo de mascotas desaparece como por arte de magia. Utilice la herramienta para limpiar tapizados sobre sofás, sillas, cojines, almohadas, sábanas, estantes de placares, telas y cortinas. La herramienta para limpiar tapizados puede utilizarse sola o con el cepillo para boquillas sujetado. CONSEJO: Esta herramienta también es muy buena para limpiar ropa suavemente; incluyendo ropa de lana, abrigos de piel y telas delicadas. Ajuste el control de flujo de aire para que sea adecuado a su situación de limpieza.



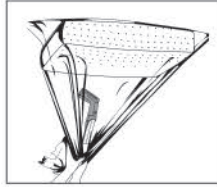
Para limpiar ventilaciones...

Utilice el cepillo de polvo. Las ventilaciones de pisos y techos juntan y hacen recircular polvo dentro de su hogar. Las cerdas blandas del cepillo de polvo se meten entre los orificios de las rejillas de la ventilación y remueven fácilmente la suciedad persistente y los desechos atrapados. Ajuste el control de flujo del aire en POTENCIA TOTAL.



Para sacudir cojines y almohadas...

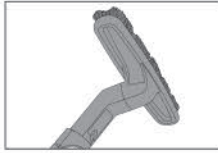
Utilice la bolsa aerofresh. Esta práctica bolsa de plástico remueve el aire pesado y polvoriento de los cojines y almohadas y tiene el tamaño adecuado para ajustarse hasta en limpiar tapizados sujeta al extremo del tubo de la manguera, sostenga la bolsa para cojines ajustada alrededor del tubo, encienda el Rainbow y observe mientras el aire pasado y polvoriento es succionado. Sin remover la bolsa del tubo, desconecte la manguera de la entrada de aire de la parte de enfrente de la Rainbow y conéctela de la parte de atrás de la salida de aire. Su cojín está ahora "sacudido" con aire limpio y sin humedad.



una solución completa de limpieza del hogar

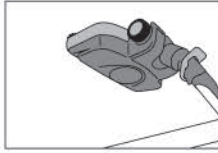
Para limpiar pisos sin alfombra...

Utilice el cepillo barrer para pisos y paredes. Para pisos de madera y de linóleo limpios y atractivos, el cepillo para pisos y paredes realiza un excelente trabajo en remover la basura y la suciedad de la superficie. El uso constante ayudará a prevenir ralladuras causadas por los desechos del piso. Configure el control de flujo de aire en POTENCIA TOTAL.



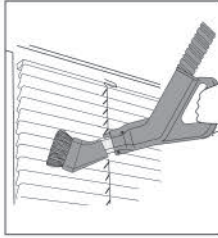
Para limpiar pisos alfombrados...

Utilice el Power Nozzle™. El Power Nozzle de Rainbow remueve la suciedad a fondo dentro de su alfombra y tapetes grandes. Su poderoso cepillo giratorio afloja pelusas, hilos, cabello y suciedad, dejando su alfombra limpia y suave. Los cepillos limpiadores de bordes activos, ayudan a quitar la suciedad atrapada en los bordes de la alfombra o cerca de los muebles. Ajuste el control de flujo de aire en POTENCIA TOTAL.



Para el polvo...

Utilice el cepillo de polvo. Debido a que el Rainbow atrapa la suciedad en el agua y libera sólo aire sin humedad, su casa requerirá menos limpieza. Sin embargo, para mantener su casa completamente limpia, no se olvide de limpiar en los lugares que se pasan por alto, como los alféizares, los portarretratos, las persianas venecianas, las pantallas para lámparas, los apliques de luz, las molduras, las plantas de interior, los sombreros, la ropa, las pantallas, los tapizados y las cortinas. En las pantallas de luz y objetos frágiles similares, reduzca la succión abriendo la rejilla de control de flujo de aire. Para los objetos delicados, el flujo de aire puede reducirse aún más. CONSEJO: sujete el cepillo de polvo a la manguera extensible opcional para alcanzar las aspas de los ventiladores de techo, las cornisas y las telarañas.



Para limpiar las paredes...

Utilice el cepillo barrer para pisos y paredes... empapeladas, con paneles o pintadas... se mantienen limpias durante más tiempo cuando el polvo y la suciedad se quitan a menudo. Emplee desde el techo y siga hasta el piso dando golpes lentos hacia abajo. Para obtener mejores resultados, permita que solamente el borde superior del cepillo tenga contacto con la pared. Con un pequeño espacio entre las paredes y el borde inferior del cepillo, el polvo se remueve antes de que las cerdas lo toquen y, de esta manera, se evitan manchas. Ajuste el control de flujo de aire en POTENCIA TOTAL.



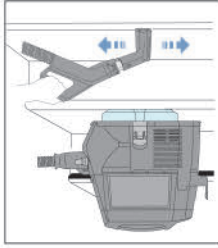
Para limpiar espacios angostos...

Utilice la herramienta para limpiar rincones. Utilice la herramienta para limpiar rincones para limpiar espacios angostos y céntricos, como los lugares entre y debajo de los radiadores, a lo largo de los bordes y zócalos del suelo y profundamente entre los cojines. Ajuste el control de flujo de aire en POTENCIA TOTAL.



Para limpiar escaleras alfombradas...

Utilice la herramienta para limpiar tapizados. Para limpiar escaleras alfombradas, quite el Rainbow de la carretilla. Permita que el Rainbow se apoye firmemente en el pedáneo superior al que está limpiando. Tome la manija y mueva el Rainbow un pedáneo a la vez mientras continúa limpiando cada pedáneo. Para limpiar el conductor vertical, gire 90 grados la herramienta para limpiar tapizados. Ajuste el control de flujo de aire en POTENCIA TOTAL.



Disponible como accesorios opcionales. Para obtener más información contáctese con un Distribuidor Autorizado de Rainbow.

una solución completa de limpieza del hogar

La gran variedad de herramientas de limpieza provistas por el Rainbow le brindan el poder y la versatilidad para limpiar prácticamente todo lo que esté en su casa.

ACCESORIOS	Muebles	Entre cojines	Limpieza de ventanas	Escaleras	Pisos sin alfombra	Pisos alfombrados y tapetes	Paredes	Espacios difíciles de alcanzar
------------	---------	------------------	-------------------------	-----------	-----------------------	-----------------------------------	---------	-----------------------------------

Cepillo de polvo	✓							
Herramienta para limpiar tapicerías	✓	✓	✓					
Herramienta para limpiar rincones	✓	✓						
Cepillo para barrer pisos y paredes			✓	✓	✓			
Power Nozzle*				✓	✓			
RainbowMate*	✓		✓					
RainJet*				✓				
Squegee*				✓				
ReXafoamer*					✓			
Inflador/Limpador de espacios reducidos		✓						✓

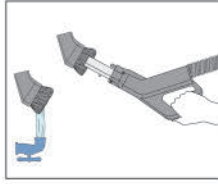
* Disponible como accesorios opcionales. Para obtener más información contáctese con un Distribuidor Autorizado de Rainbow.

¡CUIDADO: Limpie siempre los accesorios antes de utilizarlos sobre telas. Para evitar abrasiones en las superficies delicadas, mantenga las cerdas del cepillo de polvo limpias.

¡CUIDADO: No utilice los accesorios para limpiar televisores de pantalla plana ni los monitores de las computadoras.

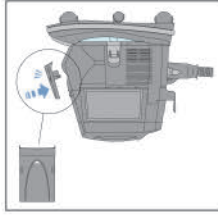
Limpieza de los accesorios...

El cepillo de piso y pared, el cepillo de polvo y la herramienta para limpiar tapizados pueden ser limpiadas con el extremo abierto de la manguera del Rainbow mientras está en funcionamiento, o quite los accesorios y límpielos con agua caliente y jabonosa. Permita que se sequen antes de volver a colocarlos. Si las cerdas están desgastadas o dañadas, contáctese con su Distribuidor local de Rainbow para que las reemplace.



Utilización del adaptador del flujo de aire...

El adaptador de flujo de aire reduce el ruido a través de la toma de entrada de aire. Se recomienda utilizar el adaptador cuando el Rainbow se utiliza como soplador o inflador. Simplemente, cierre el adaptador de flujo de aire en la toma de entrada de aire antes de utilizar el Rainbow como un inflador o soplador.

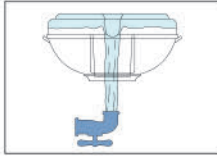


uso y cuidado correcto

El cumplimiento de algunas rutinas básicas de mantenimiento le ayudará a contar con años de servicio de su Sistema de Limpieza Rainbow sin problemas. Si ignora todas o parte de estas instrucciones, puede provocar la disminución de la eficiencia de la limpieza y producirle gastos de servicio potencialmente innecesarios.

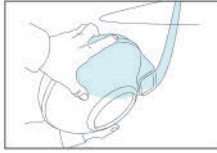
Cambie el agua cuando esté sucia...

No limpie durante mucho tiempo con una sola carga de agua. Controle el agua mientras limpia, y si ésta se vuelve muy espesa con suciedad y pelusas, vacíe el recipiente de agua y agregue agua fresca y limpia. El nivel correcto de agua es la parte superior de la escala en el centro del recipiente. Nunca lo llene por encima de esta escala.

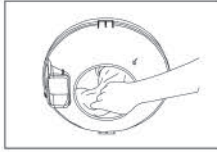


Siempre vacíe y limpie el recipiente de agua...

Immediately después de utilizar el Rainbow, saque el recipiente y tire el agua sucia. Las partículas más pesadas se quedarán en el fondo del recipiente mientras se tira el agua. Una vez que se tiró el agua, quite los restos más pesados que quedaron y deséchelos. Luego lave el recipiente con agua y jabón. Enjuáguelo y séquelo minuciosamente. No guarde el Rainbow encima del recipiente.



¡CUIDADO: Siempre quite, vacíe y lave el recipiente cuando termine con la limpieza. Esto ayuda a evitar que se generen olores, que crezcan gérmenes y bacterias, y que se genere una capa de suciedad en el recipiente. Lávelo a mano solamente. Ningún lavavajillas es seguro.



Lave el separador...

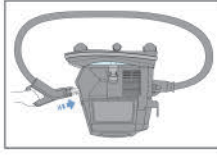
Para un mayor rendimiento, quite y limpie el separador frecuentemente. Si es necesario, utilice el cepillo/llave del Rainbow para aflojar la tuerca. Limpie el separador por dentro y por fuera con agua y jabón mediante el uso del cepillo del separador del Rainbow. Limpie y seque la pestaña debajo del separador. Inmediatamente después de limpiar, seque y vuelva a colocar el separador. Ajuste con la mano la tuerca del separador. No force el separador en el eje roscado.

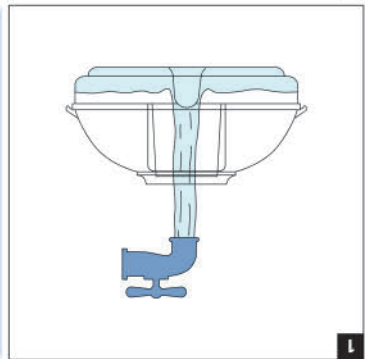
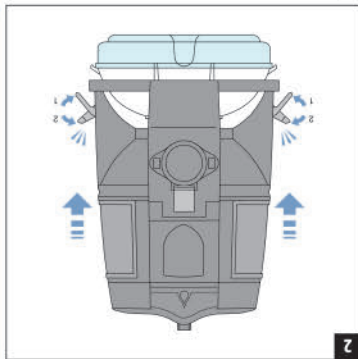
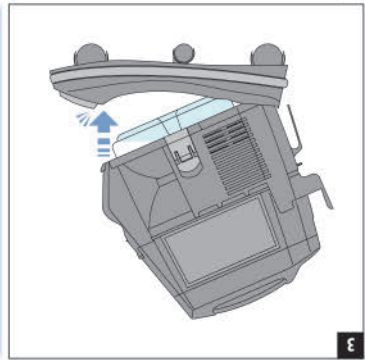
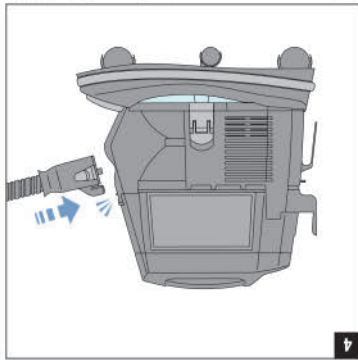
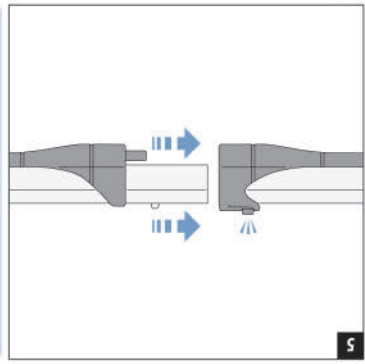
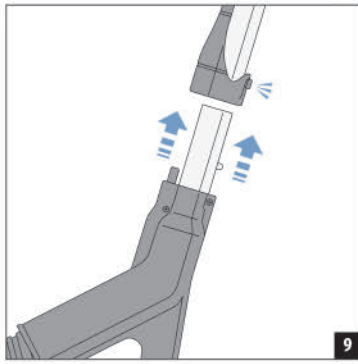
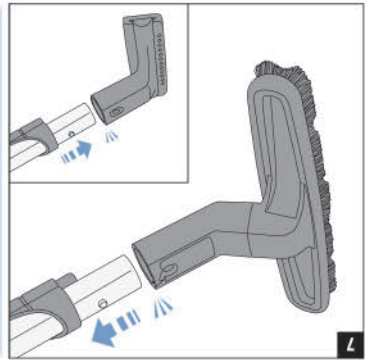
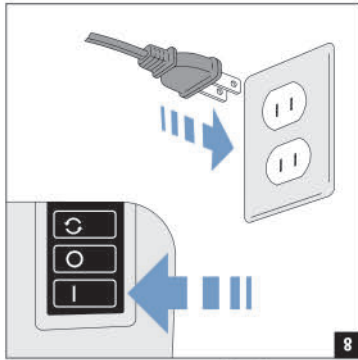


¡ADVERTENCIA: Reemplace el separador inmediatamente después de limpiarlo (aprete la tuerca sólo con la mano). No utilice el Rainbow sin el separador.

Sacar una obstrucción de la manguera...

Si al utilizar la manguera, usted nota que el flujo de aire ha disminuido, la manguera puede haberse obstruido. Para quitar la obstrucción, apague el Rainbow y desconecte de la alimentación de energía. Luego, quite la puerta de la salida de aire y conecte la manguera al orificio de la salida de aire, asegurándose de que ambos seguros estén cerrados. Coloque el tubo de la manija dentro de la entrada de aire en frente del Rainbow. Prenda el Rainbow y sacuda la manguera. Cualquier basura que esté atascada en la manguera quedará atrapada en el recipiente de agua.





guía de inicio rápido

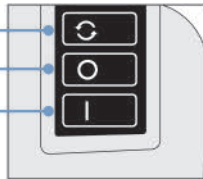
En sólo unos pasos rápidos, usted tendrá su Rainbow ensamblado y listo para empezar a limpiar:

- 1. Llene el recipiente de agua...**
Comience con agua fría de la llave del fregadero. Llene el recipiente de agua hasta que la parte superior de la tapa del fondo del recipiente esté cubierta. Si se llena menos de ese nivel o más de ese nivel, se reducirá el rendimiento de la limpieza. El agua debe reemplazarse cuando se reduzca visiblemente la acción del agua.
- 2. Sujete el Rainbow con abrazaderas al recipiente de agua...**
Alinee y ajuste el Rainbow en la parte superior del recipiente de agua. Enganche los dos seguros del recipiente en cada lado del Rainbow al borde del recipiente y asegúrelo. Para desenganchar el recipiente, abra las dos abrazaderas y deslice el Rainbow. El Rainbow no funcionará si el recipiente no está sujetado.
- 3. Coloque el Rainbow en el soporte rodante...**
Coloque el Rainbow con el recipiente sujetado en el soporte rodante, uniéndolo al borde sobresaliente del Rainbow con el borde sobresaliente del soporte rodante como se muestra. Un seguro en la base ajusta el Rainbow en su lugar. Para quitarlo, presione el seguro de la base.
- 4. Sujete la manguera...**
Presione la unión de la manguera en la apertura de entrada de aire de la unidad de energía hasta que la manguera haga "clic". Para quitarla, apriete ambos seguros y tire la manguera de la unidad.
- 5. Conecte los tubos...**
Inserte el extremo macho de un tubo en el extremo hembra del segundo tubo. Presione los tubos hasta que el botón de bloqueo haga "clic". Para desconectarlo, presione el botón en los tubos y sepárelos.
- 6. Conecte el tubo de la manija de la manguera...**
Inserte el tubo de la manija de la manguera en el extremo hembra del tubo superior. Empuje hasta que el botón de bloqueo haga "clic". Para desconectarlo, presione el botón en los tubos y sepárelos.
- 7. Seleccione un accesorio...**
Determine qué tipo de limpieza realizará (vea el cuadro en la página 11). Luego inserte el accesorio deseado en el tubo de la parte inferior o en el pico tipo pistola de la manija de la manguera. El botón se bloqueará en el orificio de cada tubo. Para desconectarlo, presione el botón en los tubos y sepárelos.
- 8. Conecte el Rainbow y enléndalo...**
Conecte el cable eléctrico en su enchufe de pared más conveniente. Seleccione ALTA VELOCIDAD para un máximo rendimiento de la limpieza.

Podery control en la punta de sus dedos

Interruptor del selector de potencia

El interruptor del selector de potencia controla la velocidad del motor de Rainbow.



ALTA VELOCIDAD: Utilice este ajuste para limpieza general.

APAGADO: Apaga toda la unidad.

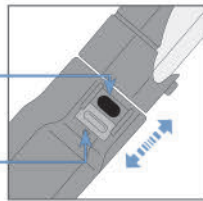
BAJA VELOCIDAD: Utilice este ajuste para limpiar el aire (vea la página 13).

Rejilla de control de flujo de aire

La rejilla de control de flujo de aire en la manija de la manguera puede abrirse o cerrarse para controlar el flujo de aire cuando se estén aspirando objetos delicados tales como cortinas y para hacer que el Power Nozzle sea más fácil de mover sobre la alfombra. Mientras limpia, puede determinar rápidamente el ajuste apropiado.

FLUJO DE AIRE REDUCIDO: Mantenga la rejilla abierta y ajústela como la necesite para los distintos tipos de limpieza.

POTENCIA TOTAL: Mantenga la rejilla completamente cerrada para un mayor rendimiento de limpieza.



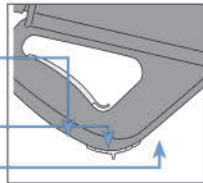
Interruptor de bloqueo del gatillo

El interruptor de bloqueo del gatillo de la manija de la manguera controla la funcionalidad de la manguera electrificada cuando se utiliza el Power Nozzle, RainbowMate, RainJet y AquaMate.

POSICIÓN DELANTERA: Bloquea el gatillo - la potencia está apagada.

POSICIÓN INTERMEDIA: (Recomendada) Apriete el gatillo para activar o suéltelo para apagar.

POSICIÓN TRASERA: El gatillo está bloqueado - la potencia está encendida.



Porta accesorios

Tenga consigo las herramientas de limpieza que más utiliza mientras va limpiando de habitación en habitación utilizando el conveniente Porta accesorios. Colóquelo al frente del Rainbow calzando el frente de la carcasa en los agujeros de cada lado. Prestione hacia abajo para ajustarlo en su lugar. Los accesorios se guardan calzándolos en las divisiones del porta accesorios, que también lo puede colocar al tubo.



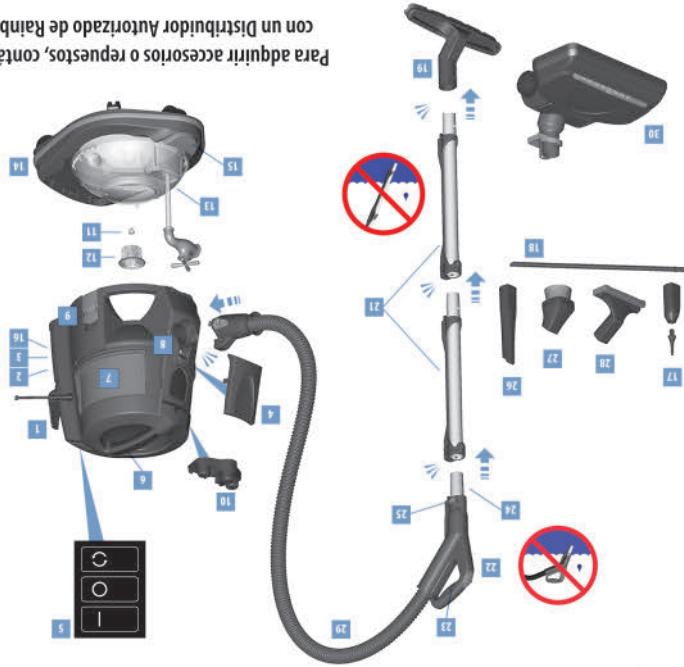
MANTENIMIENTO DE ELECTRODOMÉSTICOS CON DOBLE AISLACIÓN

En los electrodomésticos con doble aislamiento, se proporcionan dos sistemas de aislamiento en lugar de una conexión a tierra. No se proporciona un medio con conexión a tierra en un electrodoméstico con doble aislamiento, así como tampoco se debe agregar un medio con conexión a tierra al electrodoméstico. El mantenimiento de los electrodomésticos con doble aislamiento requiere extremo cuidado y conocimiento del sistema y debe ser realizado sólo por personal de servicio de Rainbow. Los repuestos de un aparato con doble aislamiento deben ser idénticos a las piezas reemplazadas. Los electrodomésticos de doble aislamiento están marcados con las palabras "DOBLE-AISLACIÓN" o "DOBLE-AISLAMIENTO". El símbolo (un cuadrado dentro de otro cuadrado) también debe aparecer en el electrodoméstico. Cualquier otro tipo de mantenimiento que no sea limpieza, debe ser realizado por un Distribuidor Autorizado de Rainbow o por el Centro de Servicio.



familiarícese con su rainbow®

Para adquirir accesorios o repuestos, contáctese con un Distribuidor Autorizado de Rainbow.



- | | | |
|-------------------------------------|------------------------------------|--------------------------------------|
| 1. Porta cable | 13. Recipiente de agua | 23. Empuñadura con gatillo |
| 2. Placa de la rejilla de salida | 14. Soporte rodante | 24. Tubo de la manija |
| 3. Orificio para la salida del aire | 15. Seguro de la | de manijera |
| 4. Adaptador de flujo de aire | plataforma rodante | 25. Rejilla de control de flujo |
| 5. Interruptor selector | 16. Neutralizador HEPA | de aire |
| de potencia | 17. Cuerpo y boquilla del inflador | 26. Herramienta para |
| 6. Manija | 18. Varilla serpentin | limpiar rincones |
| 7. Unidad eléctrica | 19. Cepillo barrer de pisos | 27. Cepillo para el polvo |
| 8. Toma de entrada de aire | y paredes | 28. Herramienta para |
| 9. Cierre del recipiente de agua | 20. Bolsa aerofresh | limpiar tapicerías |
| 10. Porta accesorios | (no aparece en el dibujo) | 29. Manguera eléctrica* |
| 11. Tuerca separador | 21. Tubos rectos | 30. Power Nozzle* |
| 12. Separador | 22. Manija de la manguera | * Mostrado con Power Nozzle opcional |

ESTE ELECTRODOMÉSTICO ESTÁ DISEÑADO ÚNICAMENTE PARA EL USO DOMÉSTICO. UTILICE EL RAINBOW SÓLO COMO SE INDICA EN ESTE MANUAL DEL USUARIO.

rainbowssystem.com


7. No utilice el Rainbow ni sus accesorios para destapar desagües. Si el gas de las cloacas se mete en el Rainbow, puede producirse una explosión.
8. Nunca toque un fregadero metálico, caños de agua fría o caliente con una mano mientras toca las partes metálicas de un electrodoméstico, instalaciones de luz o interruptores con la otra mano. Su cuerpo puede completar un circuito eléctrico a la tierra. Además, la piel mojada puede incrementar en gran manera este riesgo. No toque los enchufes o electrodomésticos con las manos mojadas.
9. (A) No coloque objeto alguno dentro de los conductos de aspirado del cepillo. No lo utilice si el conducto de aspirado está bloqueado. Mantenga los conductos de aspirado libres de polvo, pelusas o cualquier otro objeto que pudiese reducir el flujo de aire; (B) Mantenga el cabello, ropa mojada, los dedos y todas las partes del cuerpo alejadas de los conductos de aspirado y de las partes removibles; (C) tenga mayor cuidado cuando limpie en escaleras.
10. No aspire objetos que estén en llamas o soplando humo, como cigarrillos, fósforos o cenizas calientes. No lo utilice para aspirar líquidos inflamables o combustibles como gasolina, ni intente utilizar el aparato en lugares donde puedan estar presentes.
11. Para evitar la posibilidad de incendio o explosión, no utilice el Rainbow o los accesorios del Rainbow en áreas donde haya vapor o polvo inflamable y/o explosivo. Algunos productos de limpieza pueden generar dichos vapores. Las áreas donde se han utilizado fluidos de limpieza inflamables deben estar completamente secas y aireadas antes de ser aspiradas.
12. Este electrodoméstico está equipado con doble aislamiento. Utilice sólo repuestos idénticos. Vea las instrucciones para la limpieza de electrodomésticos con doble aislamiento.
13. El Rainbow está equipado con un interruptor de interbloqueo que previene que la unidad sea operada si el recipiente de agua no está asentado correctamente. NO INTENTE HACER CASO OMISO DE ESTA CARACTERÍSTICA DE SEGURIDAD.
14. Su Rainbow Power Nozzle contiene un poderoso cepillo giratorio. Para evitar lesiones en el cuerpo, el Rainbow Power Nozzle no debe dejarse cerca de ropa, alhajas, cabello o superficies corporales mientras esté conectado al enchufe. El Power Nozzle NO protege contra daños corporales o daños a objetos que tengan contacto con el cepillo giratorio.
15. Para reducir el riesgo de sufrir descargas eléctricas, el aparato puede tener un enchufe polarizado (un alabe es diferente al otro). Este enchufe entrará en el toma de corriente polarizado de una sola forma. Si el enchufe no entra completamente en el toma de corriente, invierta el enchufe. Si de esa forma tampoco puede, llame a un electricista calificado para instalar el enchufe adecuado. No cambie el enchufe de ninguna manera.
16. Si el cable está dañado, apague el interruptor de energía en el aparato Rainbow y desenchufe la unidad. Los cables deben ser reemplazados por un distribuidor autorizado de Rainbow.
17. No utilice ningún ventilador con cable o enchufe dañado. Desesche el ventilador o devuélvalo a un servicio técnico autorizado para que lo examinen y/o lo reparen.
18. No pase el cable por debajo de la alfombra. No cubra el cable con tapetes, alfombrillas o recubrimientos similares. No pase el cable por debajo de muebles o electrodomésticos. Disponga el cable lejos de áreas transitadas o donde nadie pueda tropezarse con el mismo.

- Este aparato puede ser usado por niños a partir de los 8 años de edad y por personas con capacidades físicas, sensoriales o mentales limitadas, o sin experiencia, ni conocimientos, siempre que hayan recibido las instrucciones y la supervisión necesaria para usar el aparato de manera segura y que comprendan los riesgos que implica. Los niños no deben jugar con el aparato. Los niños no deben limpiar ni realizar mantenimientos al aparato sin supervisión.
- Desconecte el Rainbow cuando no esté utilizándolo. Apague el interruptor principal antes de desconectarlo. Para desconectarlo del enchufe de la pared, tome la manija de la prolongación o el receptor. No arrastre o tire del cable, no utilice el cable como una manija, evite cerrar puertas encima del cable, no lo jale o arrastre por bordes o esquinas filosas. No pase el electrodoméstico por encima del cable. Mantenga el cable alejado de superficies calientes. No utilice el producto si el cable o el enchufe están dañados.
- No deje el aparato encendido. Desenchufe el Rainbow si lo deja sin supervisión y antes de realizar el mantenimiento o reemplazar la correa de transmisión en las boquillas motorizadas.
- Si su Rainbow, o algún accesorio del Rainbow, está en mal estado, no lo utilice. Si el Rainbow no funciona adecuadamente, ha sufrido una caída, daño, ha sido dejado al aire libre o se ha caído al agua, contáctese con el Centro de Servicio o con un Distribuidor Autorizado de Rainbow para que la revise.
- No limpie la unidad o abra la manguera hasta que el Rainbow esté apagado y desconectado.
- No utilice extensiones ni la conecte al receptor de una luz incandescente. No la utilice con transformadores o convertidores de tensión.

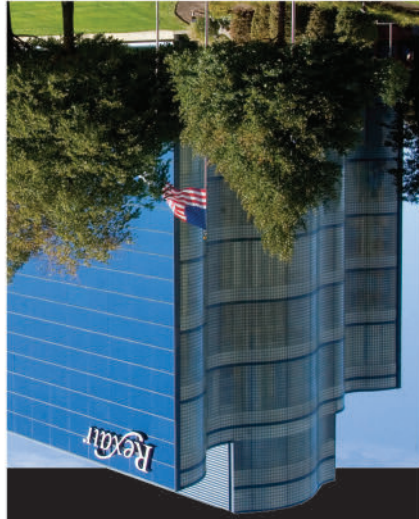
ADVERTENCIA: La manguera eléctrica contiene cables y se debe inspeccionar regularmente. No la utilice si esta tiene daños, cortes o perforaciones. Evite levantar objetos cortantes. No use ni repare una manguera dañada. Contáctese con un distribuidor autorizado de Rainbow o con un centro de atención al cliente para repararla. No sumerja la manija en líquidos para limpiarla. Utilice la manguera eléctrica solo con accesorios Rainbow o sobre una alfombra humedecida por el proceso de limpieza de Rainbow. Siempre apague este aparato antes de conectar o desconectar la manguera o la boquilla motorizada.

ADVERTENCIA: Debido al riesgo de descarga, cualquier aparato eléctrico debe ser utilizado solo como se indica. No se debe utilizar un producto eléctrico de una manera que no sea aprobada. Las pérdidas y descargas eléctricas pueden ocurrir siempre que haya electricidad. Si el usuario está parado en el suelo, en un sótano o en una habitación donde pueda haber una capa de agua en el suelo, esto puede resultar en una descarga severa. Por tanto, utilice el Rainbow solo de la manera indicada en este Manual del Usuario.

PRECAUCIÓN: El recipiente de agua del Rainbow no retendrá materiales resistentes a la acción humedecedora del agua, incluyendo componentes oleosos o grasos (tajes como hollín o cenizas) y sustancias pulverulentas (tales como cerámica, mármol o yeso). No utilice el Rainbow para aspirar, o cerca de, ningún material volátil o tóxico.


POR FAVOR, LEA TODAS LAS INSTRUCCIONES ANTES DE UTILIZAR ESTOS ELECTRODOMÉSTICOS. SOLO UTILICE LOS ACCESORIOS RECOMENDADOS POR EL FABRICANTE.

instrucciones de seguridad importantes



REXAIR es un miembro orgulloso de la Asociación de Ventas Directas (D5A por sus siglas en inglés) y adhiere a sus Códigos de Ética.



UN MENSAJE DE REXAIR

Nos alegra tener la oportunidad para felicitarlo y agradecerle por elegir el Sistema de Limpieza Rainbow. Su nuevo Rainbow es el resultado de más de 75 años de investigación, desarrollo e ingenio del producto. En la actualidad, los productos Rainbow se venden en los 50 estados de los EE. UU. y en más de 75 países en el mundo. Creamos que el Rainbow es el sistema de limpieza más efectivo y versátil en el mercado.

Con el uso correcto y apropiado, el Rainbow mejorará de manera significativa el ambiente de su hogar y le proporcionará años de servicio confiable. Tómese unos minutos para examinar esta guía y familiarizarse con su nuevo Sistema de Limpieza Rainbow.

Cualquier pregunta o cualquier problema que tenga con su Rainbow, por favor, contáctese con el distribuidor o el comerciante a quien le compró su Rainbow. En caso de no poder contactarlo, no dude en comunicarse con el Departamento de Atención al Cliente para solicitar ayuda.

CERTIFIED
asthma & allergy friendly™

Meets ASP-03:03 Standard for Vacuum Cleaners

aafa
 Asthma and Allergy Foundation of America
aafa.org/certified

El Rainbow® está certificado "asthma & allergy friendly™" (productos aptos para el asma y las alergias) de la Fundación de Asma y Alergias de los Estados Unidos (Asthma and Allergy Foundation of America).

*ASTHMA & ALLERGY FRIENDLY y ASTHMA & ALLERGY FRIENDLY LOGO son Marcas Registradas y Registros del ALLERGY STANDARDS LIMITED. La Fundación de Asma y Alergias de los Estados Unidos es una Marca Registrada de la AFA.

Rexair LLC

50 W. Big Beaver Road, Suite 350
 Troy, Michigan 48064
 United States of America
 (248) 643-7222
 customers@rexairllc.com
 rainbowsystem.com

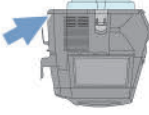
Rainbow®, Rainbowlmate®, RainMate®, Aquamate®, Rexair®, The Power of Water®, Wet Dust Can't Fly® y la configuración del Sistema de Limpieza Rainbow® son marcas registradas de Rexair LLC, Troy, Michigan, Estados Unidos.

Contáctese con su Distribuidor local Autorizado de Rainbow para recibir asesoramiento en cuanto al cuidado de su Rainbow, cobertura de la garantía, reemplazo de las piezas e información sobre el servicio.	NOMBRE
	DIRECCIÓN
	CIUDAD/ESTADO/ CÓDIGO POSTAL
	TELÉFONO
	CORREO ELECTRÓNICO

SU DISTRIBUIDOR AUTORIZADO DE RAINBOW

NÚMERO DE SERIE DEL RAINBOW

Model: e2 - 73 db(A)



Como parte del programa de atención al cliente de Rexair, cada Rainbow y Power Nozzle recibe un número de serie registrado para los servicios de Atención al Cliente después de aprobar las pruebas de Control de Calidad. Este número de serie proporciona:

- ✓ Identificación de propiedad para usted
- ✓ Garantía de aprobación de las pruebas de Control de Calidad
- ✓ Garantía de productos "recién salidos de la fábrica"

Para futuras referencias, registre el número de serie en el espacio provisto a continuación. Los nuevos productos Rainbow y Power Nozzle que no son auténticos se venderán sin este número. En caso de pérdida del número de serie, Rexair no se responsabiliza por el origen, antigüedad o condición de la unidad. Si no puede encontrar el número de serie en su Rainbow y/o su Power Nozzle, contáctese con el Departamento de Atención al Cliente de Rexair.

número de registro para atención al cliente

BASADO EN EL PRINCIPIO QUE

Wet Dust Can't Fly.

(EL POLVO MOJADO NO VUELA)

EL RAINBOW™ UTILIZA

The Power of Water.

(EL PODER DEL AGUA) PARA REMOVER DE MANERA EFECTIVA LA SUCIEDAD Y LAS PARTÍCULAS DEL AIRE DE SU HOGAR.





rainbowsystem.com

REXAIR LLC | TROY, MICHIGAN

© 2011 REXAIR LLC | R15636A-2 | PRINTED IN U.S.A.